

BEKO

COLOUR TELEVISIONS



L6E – PE CHASSIS

LCD – PLASMA SERVICE MANUAL

CONTENTS

PAGES

Safety instructions	2
Inputs/Outputs of the set(LCD)	3
Inputs/Outputs of the set(PLASMA)	4
Remote control explanations	5
Set Appearances	6
Specifications of the Chassis	7
Power rating and Panel Specifications	8
Block Diagram of the chassis	9
Block Diagram of the Beko PSU	10
PSU&PIM Differentiation	11
Data sheets of main IC's	14
Service Menu Explanations	17
Service Mode Adjustments	21
Replacement part List	22
Frequency list of channels	29

SAFETY PRECAUTIONS

GENERAL GUIDELINES

1. Always use the manufacturer's replacement safety components. The critical safety components marked with ∇ on the schematics diagrams should not be by other substitutes. Other substitute may create the electrical shock, fire or other hazards. Take attention to replace the spacers with the originals. Furthermore where a short circuit has occurred, replace those components that indicate evidence of overheating.
2. After servicing, see that all the protective devices such as insulation barriers, insulation papers, shields and isolation R-C combinations are correctly installed.
3. When the receiver is not being used for a long time of period of time, unplug the power cord of the Adaptor from the AC outlet.

Color TFT LCD Module is very sensitive both electrically and physically. Users, therefore, are requested to follow the "Guidance of handling color TFT LCD Module" on the followings.

1 - Be careful not to make scratch on the polarizer.

Surface of polarizer is soft and can be physically damaged easily.
Please do not touch, push or rub polarizer surface with materials over HB hardness.

2 - Keep clean the surface.

Please wear rubber glove when touch the surface of LCD screen. Please use soft and anti-static material as cleaner.

3 - Keep out of water.

Water on/in the LCD may cause electrical short or corrosion. Please wipe out dry or water carefully.

4 - Prevent swift Temperature & Humidity change.

Instantaneous temperature and/or humidity change can make dew or ice which cause nonconformance such as malfunction.

5 High temperature & high humidity reduce the life-time.

LCD is not proper to be used at high temperature and high humidity. Please keep specified temperature and humidity condition.

6 - Keep out of Corrosive Gas.

Corrosive gas effect the polarizer and the circuit chemically and cause defects accordingly.

7 - Electrostatic discharge can make Damage

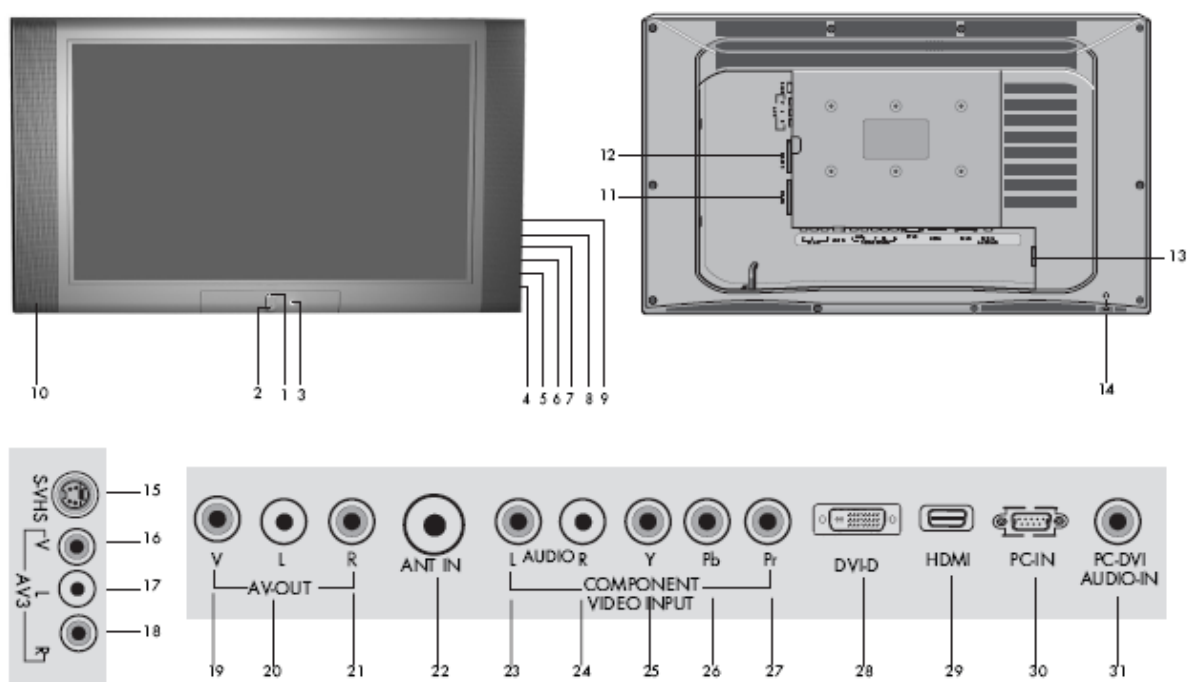
There are electro-static sensitive components such as CMOS in LCD Module. Please earth human body when handle the LCD. In addition, please do not touch the interface connector pin with bare.

8 - Do not operate for a long time under the same pattern

Operating LCD for a long time under the same pattern can cause image persistence and can damage it. Please follow following guidance.

1. Turn the power off when do not use.
2. Change the pattern periodically.

INPUTS/OUTPUTS OF THE SET(LCD)

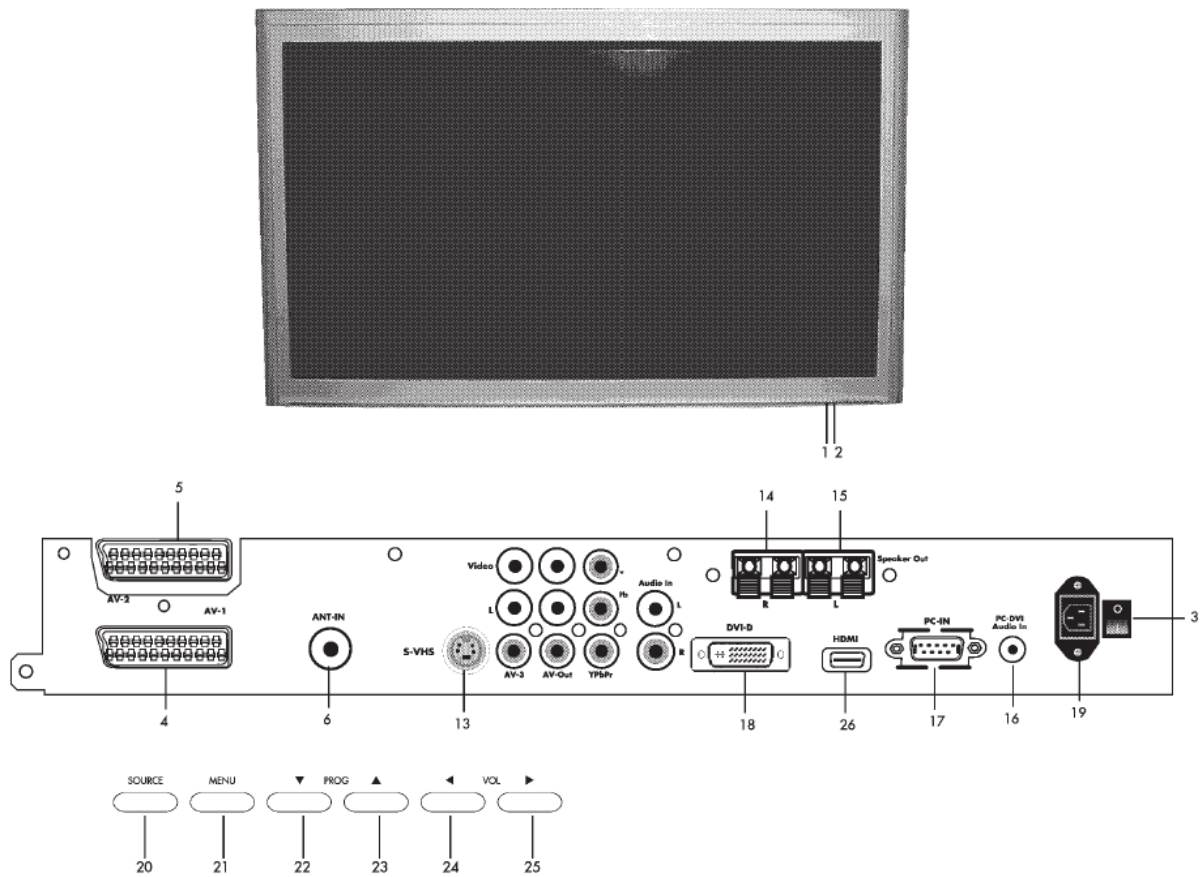


- | | |
|--------------------------------|---|
| 1. Standby status indicator | 16. Video input CINCH connector |
| 2. Network power on/off button | 17. Sound input CINCH connector (Left/L) |
| 3. Remote control receiver | 18. Sound input CINCH connector (Right/R) |
| 4. Volume turn-down button | 19. Video output CINCH connector |
| 5. Volume enhancement button | 20. Sound output (Left/L) |
| 6. Menu Button | 21. Sound output (Right/R) |
| 7. Source selection | 22. Antenna input |
| 8. Program decrease button | 23. Component sound input (L) |
| 9. Program increase button | 24. Component sound input (R) |
| 10. Speaker | 25. Component video input (Y) |
| 11. Scart 1 | 26. Component video input (Pb) |
| 12. Scart 2 | 27. Component video input (Pr) |
| 13. Power supply input | 28. DVI-D |
| 14. Headphones output | 29. HDMI |
| 15. S-VHS connector | 30. VGA (PC connection input) |
| | 31. PC sound input |

Note:

- Please do not use the video RCA and S-Video connection simultaneously, in that case, these two devices might influence the picture quality of one another.
- RGB offers the best picture quality over the Scart.

INPUTS/OUTPUTS OF THE SET(PLASMA)

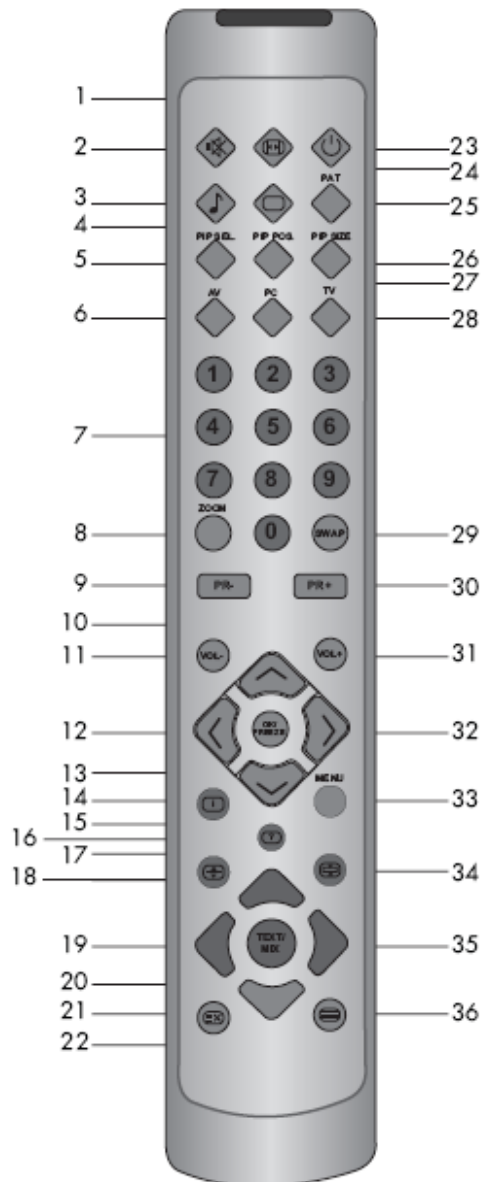


- | | | |
|--|----------------------------------|--------------------------------|
| 1. Remote control receiver | 13. S-VHS connector | 28. Component video input (Pb) |
| 2. Standby mode indicator | 14. Loudspeaker output (Right/R) | 29. Component video input (Pr) |
| 3. Network power on/off button | 15. Loudspeaker output (Left/L) | 30. Component sound input (L) |
| 4. Scart 1 | 16. PC-DVI sound input | 31. Component sound input (R) |
| 5. Scart 2 | 17. VGA (PC connection input) | |
| 6. Antenna input | 18. DVI-D | |
| 7. Video input CINCH connector | 19. Antenna input | |
| 8. Sound input CINCH connector (Left/L) | 20. Source selection | |
| 9. Sound input CINCH connector (Right/R) | 21. Menu Button | |
| 10. Video output CINCH connector | 22. Program down button | |
| 11. Sound output (Left/L) | 23. Program up button | |
| 12. Sound output (Right/R) | 24. Volume turn-down button | |
| | 25. Volume turn-up button | |
| | 26. HDMI | |
| | 27. Component video input (Y) | |

Please note

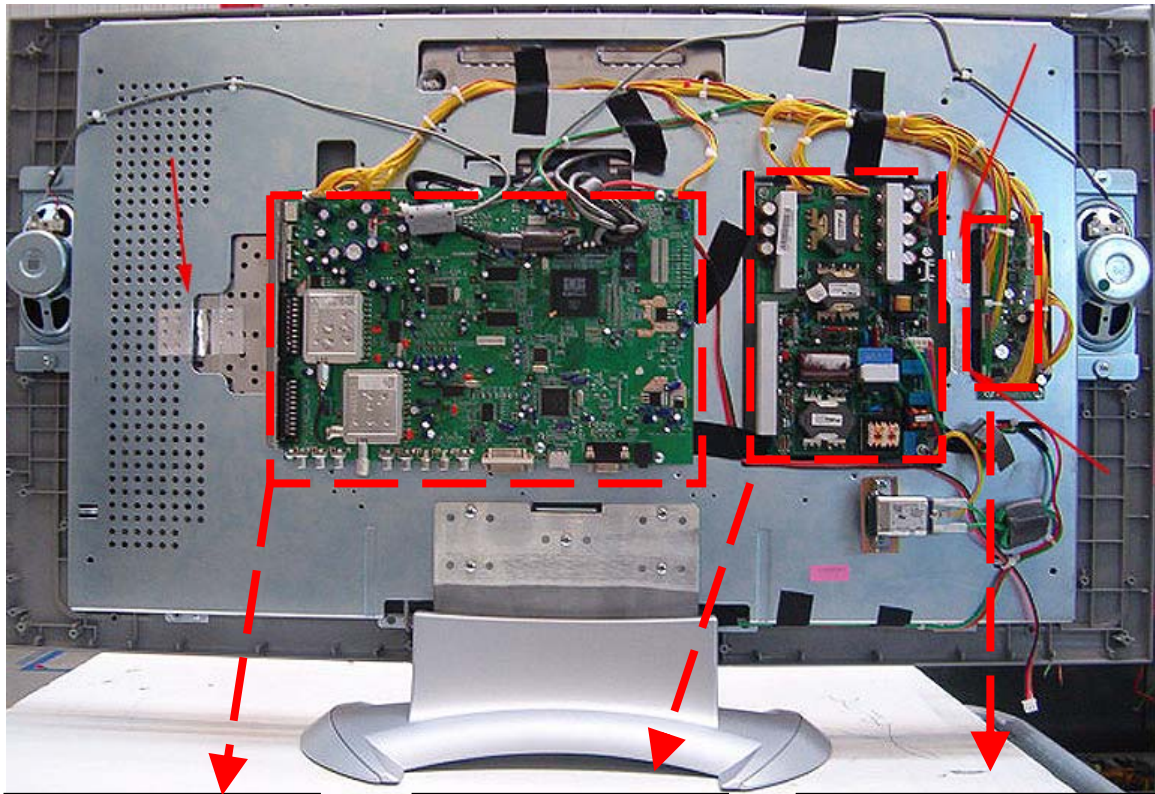
- Do not use the Video RCA and S-Video connections at the same time; otherwise they will affect each other's image.
- RGB inputs from Scart will give you a better image quality.

Remote Control



1. Picture Format selection button (◆)
2. Temporary sound mute (Mute) button (◆)
3. Equalizer selection button (◆)
4. PIP position selection button
5. PIP/PAP On-Off button
6. AV modes selection menu button
7. Numeric buttons
8. ZOOM mode selection button
9. Program down button (PR-) (PR-)
10. Upward movement button (▲) (Menus)
11. Volume turn-down button (VOL-)
12. Left movement button (◀) (Menu)
13. Confirmation(OK) and Temporary picture freeze button (Freeze) (●)
14. Info / Txt index page button (●)
15. Downward movement button (▼) (Menus)
16. Txt Question/Answer button (Reveal) (●)
17. Red teletext button (▲)
18. Teletext page enlarge button (Double) (●)
19. Blue Teletext button (◀)
20. Teletext / Mix selection buttons (●)
21. Temporary TV picture button (UPDATE)/Teletext time (●)
22. Yellow teletext button (▼)
23. Stand-by On/Off button (●)
24. Picture Mode selection button (◆)
25. PAT (Picture and Teletext) Mode Power On-Off button
26. PIP size selection button
27. PC mode access button
28. PC mode access button
29. Final program selection button (SWAP) (●)
30. Program forward selection button (PR+) (PR+)
31. Volume enhancement button (VOL+)
32. Right movement button (▶) (Menus)
33. MENU button
34. Txt Stop button (Hold) (●)
35. Green teletext button (▶)
36. Sub page button (SUB PAGE) (●)

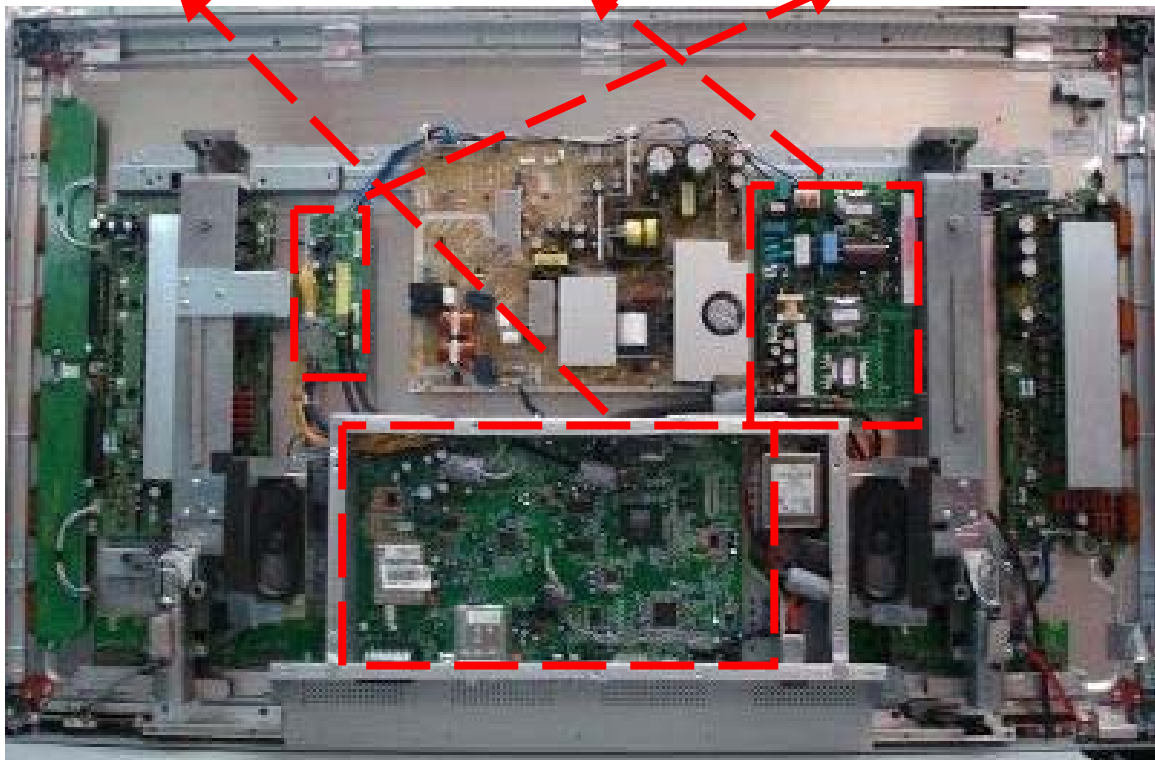
SET APPEARANCES of LCD & PLASMA



MAIN CHASSIS

PSU

**PIM(Power
Interface Module)**



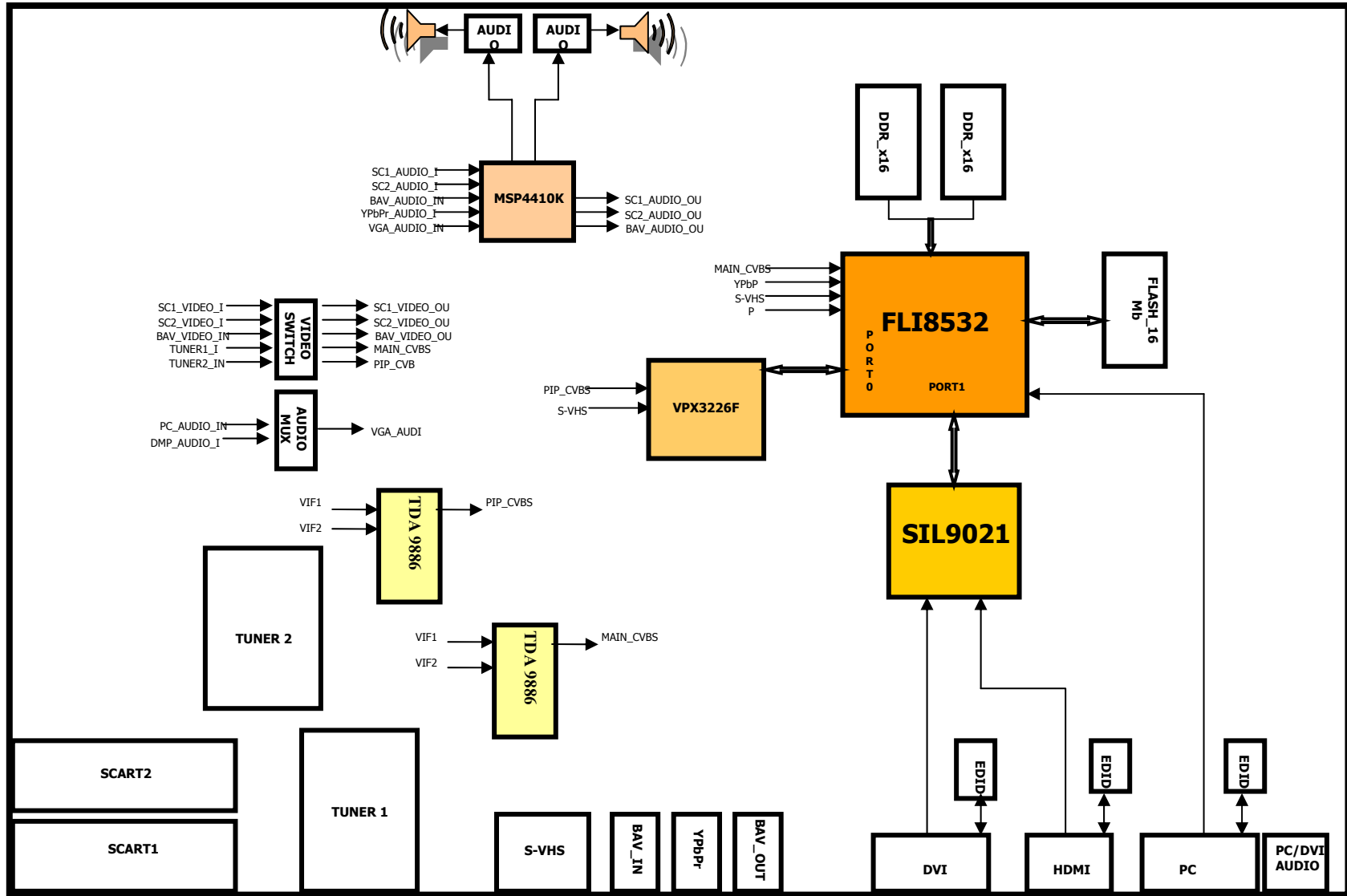
SPECIFICATIONS

Screen Size	LCD	Plasma
Picture		
Display	Active Matrix TFT-LC Display	Plasma
Screen format	16:9	16:9
Display Modes	Zoom,Letterbox,Subtitle,4:3,16:9	Zoom,Letterbox,Subtitle,4:3,16:9
Motion Adaptive De-Interlacer	+	+
Colour contrast Improvement (CTI)	+	+
Sharpness Level Improvement (LTI)	+	+
Digital Comb Filter / Digital Noise Redution	+/+	+/+
Electronics		
(OSD)	24 Languages (Graphique Based)	24 Languages (Graphique Based)
Automatic tuning system ATS euro plus	ATS	ATS
Picture-in-picture (1 Tuner PIP)	-	-
Picture-in-picture (2 Tuner PIP)	+	+
PAP / PIP text (PAT)	+/+	+/+
Child Lock	+	+
On timer / Sleep timer	+/+	+/+
Zoom / Freeze	+/+	+/+
Programme memory TV / AV	99 / 5	99 / 5
Teletext Memory	2000 pages	2000 pages
TV standards	BG, I, DK/K', M, L/L'. PAL, SECAM, NTSC 4.43 + 3.58 MHz. A2 for B/G/D/K, Nicam 5.85 MHz (BG, L) + 6.52 MHz (I)	BG, I, DK/K', L/L'. PAL, SECAM, via AV: NTSC 4.43 + 3.58 MHz. A2 for B/G/D/K/I, Nicam 5.85 MHz (BG, L) + 6.52 MHz (I)
Control keys on set	+	+ (PLS)
Sound		
Stereo / Nicam	+/+	+/+
Virtual Dolby Surround	Opt.	Opt.
Headphones volume separately adjustable	+	-
Loudspeakers (It depends on product)	2 wide band,side	2 wide band, seperate box
Connections / sockets		
S-video input (hosiden)	+	+
Euro-Scarts	2x	2x
Cinch-AV sockets (Input)	+	+
Line Output (Cinches)	+	+
CVBS Output (Cinch)	+	+
Headphones socket (Ø 3.5 mm)	+	-
YUV sockets (3 Rca+2 Rca sound input)	+	+
DVI	+(HDCP)	+(HDCP)
HDMI	+(HDCP)	+(HDCP)
Submin D 15 (VGA interface for PC)	+	+
Miscellaneous		
Walmart compatible with VESA standard (opt.)	+	+ (no VESA standard)
Table stand- tilt ability / without tilt	- / +	- / +
Accessories (included in delivery)	Power Cord Two AAA size batteries Remote Control	Power Cord Remote Control Wall Mounting Kid', Detachable speaker, Desktop stand (Opt)

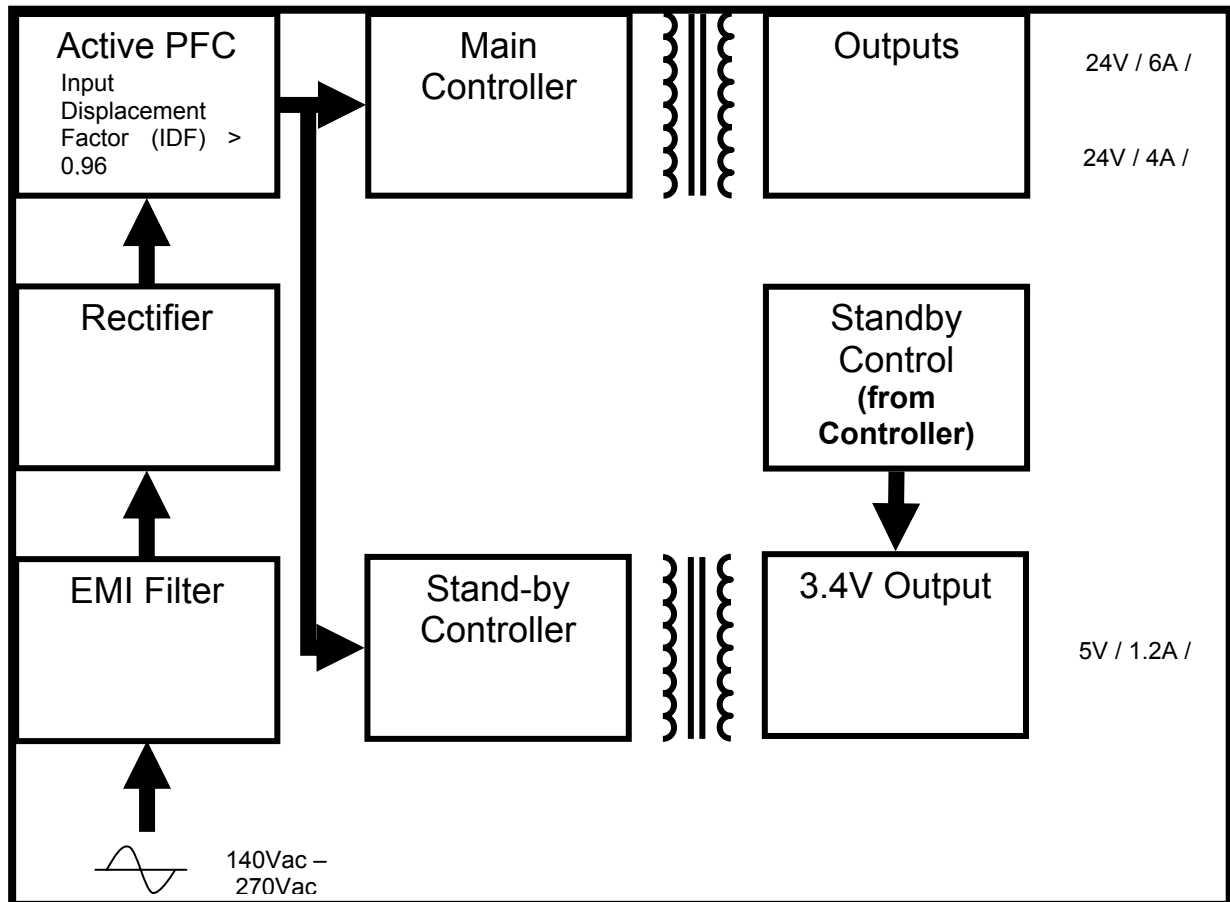
POWER RATING AND PANEL SPECIFICATION

	26" HD READY	27" HD READY	32" HD READY	37" HD READY	40" HD READY	42" HD READY	50" HD READY
Adaptor Input	Built-in Power	Built-in Power	Built-in Power	Built-in Power	Built-in Power	Built-in Power	Built-in Power
St-By Power Consumption	2 W	2 W	2 W	2 W	2 W	2,5 W	2,5 W
Input Range	100-240V/50, 60Hz	100-240V/50, 60Hz	100-240V/50, 60Hz	100-240V/50, 60Hz	100-240V/50, 60Hz	100-240V/50, 60Hz	100-240V/50, 60Hz
Audio Output Power (%10) THD	2X7 W	2X7 W	2X10 W	2X10 W	2X10 W	2X10 W	2X10 W
Manufacturer	SAMSUNG CMO AUO SHARP LG PHILIPS QDI	CMO	AUO SHARP SAMSUNG QDI	CMO LG PHILIPS SHARP	SAMSUNG	LG PHILIPS SAMSUNG PANASONIC	LG PHILIPS SAMSUNG PANASONIC
Interface	Double TTL Single LVDS	Dual LVDS	Single TTL\Single LVDS	Single LVDS	Single\ LVDS	Singel LVDS	Singel LVDS
Resolution	WXGA (1280x768)	WXGA (1280x768)	WXGA (1366x768)	(1366x768)	(1366x768)	(1024x768)	(1366x768)
Brightness (cd/m2/approx.)	450	550	450	500	500	1000	900
Contrast (approx.)	500:1	600:1	700:1	800:1	1000:1	3000:1	3000:1
Viewing angle	176 vertical, 176 horizontal	170 vertical, 170 horizontal	176 vertical, 176 horizontal	176 vertical, 176 horizontal	160 vertical, 160 horizontal	160 vertical, 160 horizontal	160 vertical, 160 horizontal

BLOCK DIAGRAM of MAIN CHASSIS



BLOCK DIAGRAM of BEKO PSU



SPECIFICATIONS

- 24V_Inv Output : 6A / 144W
- 24V_Sys Output : 4A / 96W
- 5V Output : 1.2A / 6W
- Stand_by Power : Less than 3W
- Half Bridge Asymmetrical Forward
- Efficiency : More than %85
- Class : Type I-II

L6E / PE CHASSIS PSU DIFFERENTIATION				
TYPE	SIZE	PANEL TYPE	L6E + PSU	
			Panel + Chassis Power(Watt)	SUPPORTING PSU
LCD	26"	LG PHILIPS	173	200W ** ZZ7.140 **
		AUO W01	199	
		AUO W02	189	
		SHARP	174	
		SAM W02	187	
		QDI	186	
	27"	CMO CH4	193	250W ** ZS4.140 **
		CMO CH5	195	
	32"	SHARP	205	300W ** LW9.140 **
		SAMSUNG	224	
		AUO V2	224	
	37"	QDI	211	400W ** UX7.140 + UX7.125 **
		CMO	278	
		LG-PHL	215	
40"	SHARP	245		
	SAMSUNG	297		
PLASMA	42"	LG PHILIPS		---
		SAMSUNG		---
		PANASONIC		**HW1.140**
	50"	LG PHILIPS		---
		SAMSUNG		---
		PANASONIC		**HW1.140**

L6E / PE CHASSIS POWER INTERFACE MODULE(PIM) DIFFERENTIATION				
CHASSIS	SIZE	PANEL	PANEL BRAND	PIM
L6E	26" 15:9	AU2	AU	LW7.150
L6E	32"	SS2	SAMSUNG	LW7.150
L6E	26" 16:9	AU3	AU	LW2.150
L6E	26" 16:9	SS2	SAMSUNG	LW8.150
L6E	27"	CH4	CHI MEI	LW7.150
L6E	32"	AU3	AU	LW8.150
L6E	26" 16:9	AU5	AU	LW8.150
L6E	32"	CH2	CHI MEI	LW7.150
L6E	40"	SS1	SAMSUNG	LW8.150
L6E	27"	CH5	CHI MEI	LW4.150
PE	42"	PN	PANASONIC	GW1150
PE	50"	PN	PANASONIC	GW1150

DATA SHEETS OF MAIN IC'S

FLI8532-LF (DIGITAL VIDEO PROCESSOR AND LCD TV CONTROLLER)

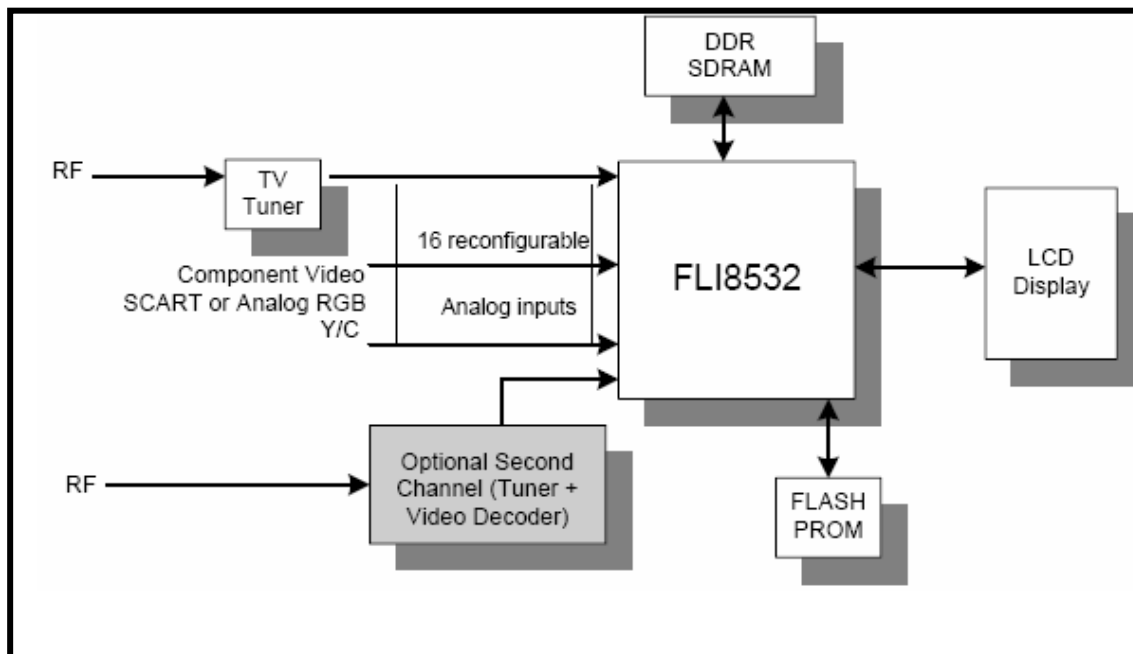
The Genesis Microchip FLI8532 is a fully integrated single chip solution for LCD TV. It includes an integrated 3-D Digital Video Decoder with Faroudja DCDi Cinema™ video format conversion, video enhancement, and noise reduction.

The flexible Analog Front End of the FLI8532 ensures simple PCB design with almost direct connections to TV Tuners and Input Video Connectors.

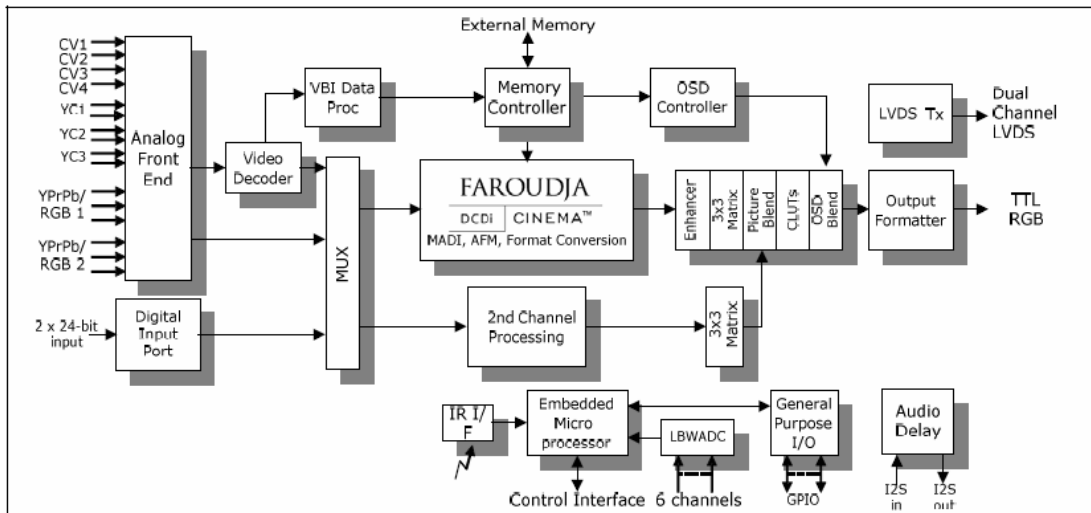
The auto-detection and Faroudja DCDi Cinema™ technology allow the FLI8532 to detect, process, and enhance any video or PC graphic format worldwide without the need for additional hardware.

The FLI8532 supports many worldwide VBI standards for applications of Teletext, Closed Captioning, V-Clip, and VBI technologies.

An embedded micro-controller and a versatile OSD in a single device will facilitate rapid development of a reliable and attractive product.



FLI8532 FUNCTIONAL BLOCK DIAGRAM



INTEGRATED 3D VIDEO DECODER

- Faroudja® IntelliComb™ Technology
- 3D Adaptive Comb Filter for Luma-Chroma separation
- Supports: Composite, S-Video, and Component (Including High Definition) video input signals
- Support all broadcast TV Video standards-NTSC, PAL, SECAM

MACOVISION™(2) AND VCR TRICK MODE SUPPORT

FLEXIBLE DIGITAL AND ANALOG CAPTURE

- 16 Reconfiguration Analog Inputs
- Direct Connection from tuner or connector to analog input in
- Integrated Anti-Aliasing Filter
- RGB or YUV capture up to 135 MHz
- Full SCART support including RGB Fast Blank
- 4:4:4/4:2:2/CCIR656/601 8/16/24 bit digital input port
- Simple connection to JPEG and MPEG processors

FAROUDJA DCDI CINEMA™ FORMAT CONVERSION

- Low Angle De-interlacing Processing
- Per Pixel Motion Adaptive De-interlacing(MADi) up to 1080i format
- Format conversion up to SXGA resolution
- Panoramic and Anamorphic Non-linear Scaling
- Adaptive Media Display Processing for 3:2 and 2:2 video content
- Adaptive 3D Noise Reductions
- Media Noise Reduction for MPEG inputs

VBI SIGNAL PROCESSING

- Multi-standart Digital VBI dataslicer
- WST Teletext FastText page support access
- V-Chip, VPS, Closed Captioning, XDS, CGMS, and WSS decode

FLEXIBLE x16 OR x32 DDR MEMORY INTERFACE

- DDR400
- Memory Size is flexible up to 512Mbits

LCD OVERDRIVE

- Reduces video smearing artifacts of rapid luminance transition scenes caused by slow LCD panel response

FAROUDJA® TRUELIFETM VIDEO ENHANCER

- Non-linear Chroma Enhancement
- Non-linear Luma Enhancement
- Removal of the DVD Chroma Upsampling Error(CUE) introduced by some DVD sources

PICTURE-IN-PICTURE(PiP)

- Dynamic Scaling for advanced PiP transition
- Video PiP over full screen graphics background
- Graphics PiP over full screen video background
- Video PiP over full screen video background

ADVANCED COLOR MANAGEMENT

- Integrated x186 based microprocessor with rich function library
- General-purpose inputs/outputs(GPIOs) available for managing system devices(keypad, backlight, NVRAM,etc)

- Advanced Power Control for low Power Stand-by Mode

- 2-wire serial master bus interface for external device control

ADVANCED BITMAPMED OSD CONTROLLER

- 16 True Color bitmap tiles with 1, 2, 4 and 8-bit per pixel
- Horizontal and vertical stretch of OSD menus
- Blinking, transparency, and blending

OUTPUT FORMAT

- Dual-channel TTL output
- Dual-channel LVDS transmitter for direct connection to LCD modules

- 30-bit LVDS and TTL output available

OTHER FEATURES

- Integrated infrared decoder
- Integrated low bandwidth ADC with 6 channels of input
- 4 integrated PWM outputs for LCD backlight control
- Integrated I2S Audio Delay to exact Audio and Video Synchronization

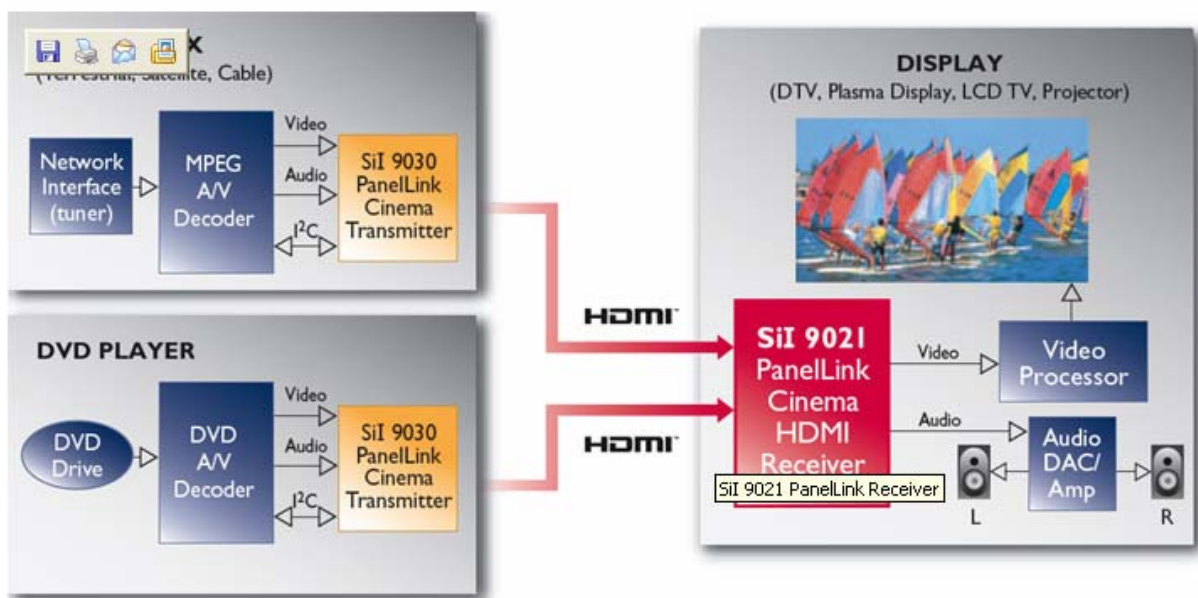
HDMI 1.1 Receiver

The Sil 9021 is a dual-input HDMI receiver that fits directly into home theater products such as digital televisions (DTVs), including HDTVs, plasma TVs, LCD TVs, LCOS TVs and DLP TVs. The built-in High-bandwidth Digital Content Protection (HDCP) decryption engine secures the digital link for transmission of valuable high-definition video and audio. Each Sil 9021 is pre-programmed with unique HDCP keys, providing the highest level of security while reducing manufacturing complexity and cost.

Maximum Resolution : WSXGA, 720p/1080i/1080p
Bandwidth : 25-150 MHz

Other Features & Benefits

Industry-Standard Compliance:
 HDMI 1.0
 DVI 1.0
 EIA/CEA-861B
 HDCP 1.1



VPX3226F

(VIDEO PIXEL DECODER)

The Video Pixel Decoder VPX 322xF is the fourth generation of full-feature video acquisition IC for consumer video and Multimedia applications. All of the processing units necessary to convert an analog video signal into a digital component stream have been integrated onto a single 44- or 64-pin IC. Additionally, the VPX 322xF provides text slicing for Intericast, Teletext, and Closed Caption. An adaptive 4H comb filter allows improved Y/C separation. In addition to the VPX 3226F, the VPX 3228F provides an analog component video interface.

Video Decoding

- High-performance adaptive 4H comb filter Y/C separator with adjustable vertical peaking
- Multistandard color decoding:
 - NTSC-M, NTSC-443
 - PAL-BDGH, PAL-M, PAL-N, PAL-60
 - SECAM, S-VHS
- Video ADCs with clamping and automatic gain control (AGC)
- Seven analog inputs with integrated selector for the following sources:
 - 4×composite video (CVBS), or
 - 2×CVBS and 2×Y/C (S-VHS), or
 - 2×CVBS, 1×Y/C and 1×YPrPb(Some inputs are available only in the 64-pin version.)
- Decoding and detection of Macrovision 7.01 protected video

Video Processing

- Hue, brightness, contrast, and saturation control
- Dual-window cropping and scaling
- Horizontal resizing between 32 and 864 pixels/line
- Vertical resizing by line dropping
- High-quality anti-aliasing filter
- Scaling controlled peaking and coring

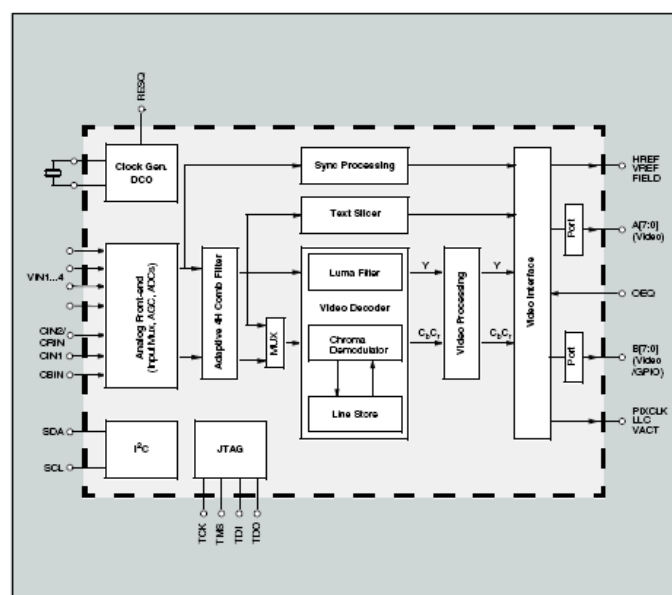
Video Interfacing

- Digital YCrCb 4:2:2 format

- ITU-R 601/656 compliant output format
- Square pixel format (640/768 pixels/line)
- 8-bit or 16-bit synchronous output mode
- 13.5 MHz/16-bit and 27 MHz/8-bit output rate
- VBI bypass and raw ADC data output

Data Broadcast Support

- High-performance hardware data slicing
- Multistandard data slicer
 - NABTS, WST
- CAPTION (1×, 2×), CGMS, VPS, WSS, Antiope
- Full support for
 - Teletext, Intericast
 - WebTV for Windows, EPG services
- Programmable to new standards via I2C
- VBI and Full-field mode
- Data insertion into video stream
- Simultaneous acquisition of Teletext, VPS, WSS, and Caption
- 44-pin PMQFP and 64-pin PMQFP/ PQFN packages
- Reduced power consumption of about 500 mW
- I2C serial control, two different device addresses
- On-chip clock generation, single crystal
- Eight user-programmable I/O pins



Block diagram of the VPX 3226

MSP4410K

(SOUND PROCESSOR)

The Multistandard Sound Processor MSP 4410K is a fifth generation of Micronas' single-chip TV sound demodulator, decoder, and baseband audio processors. Demodulation and stereo decoding of all analog TV standards worldwide, as well as the NICAM digital sound standard and FM stereo radio is performed on the SIF (2nd IF) input.

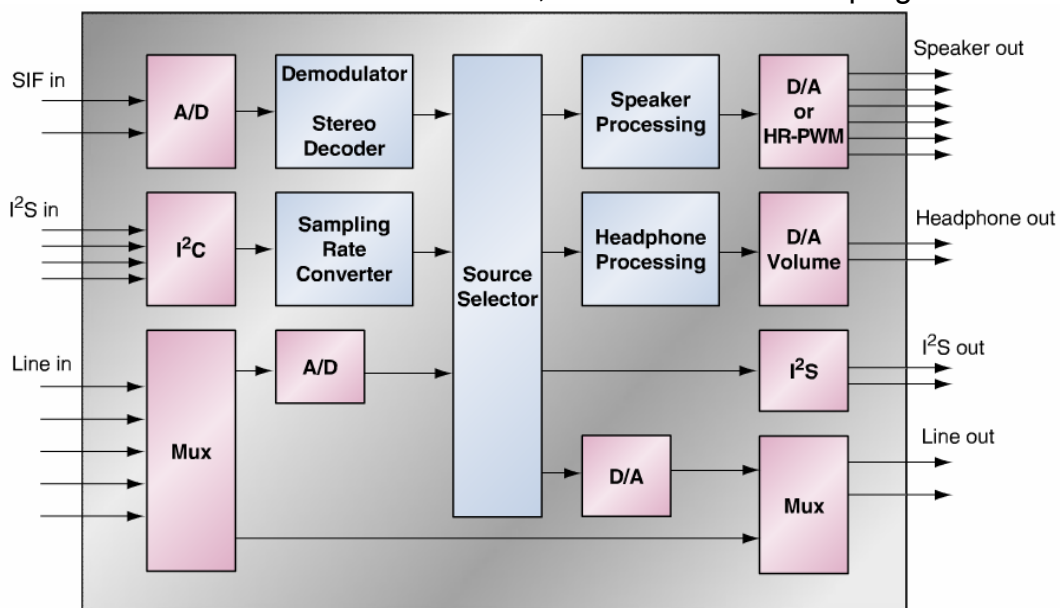
Baseband audio is processed in the DSP section after on-chip A/D conversion or input via I2S. Built-in high-quality multibit sigma-delta D/A converters directly feed the TV's power amplifiers. Alternatively, digital PWM outputs allow to connect state-of-the-art "class D" digital amplifiers. Micronas' "High-Resolution PWM" technology enables natural sound with digital power amplifier ICs provided by several manufacturers.

System Architecture

The hardware of the MSP 4410K consists of digital data processing blocks, as well as analog I/O including high-performance A/D and D/A conversion on a single chip. The unique demodulator block performs all SIF demodulation, stereo decoding and automatic functions in the digital domain.

The DSP is designed as dedicated audio signal processor. Its RISC architecture makes it small and cost-efficient while providing sufficient power to process Pro Logic II followed by TV-specific signal processing and "High Resolution PWM".

The firmware is located in the internal ROM; all functions are I2C-programmable



Features

Demodulator, Stereo Decoder

- Alignment-free decoding of all TV audio standards maintaining superb channel separation
- US BTSC audio with DBX noise reduction and SAP decoding
- Japanese EIA-J stereo
- Digital NICAM stereo
- All 2-carrier TV Audio standards
- (Very) High deviation modes HDEV2, 3
- Automatic Standard Detection (ASD)
- Automatic Sound Select (ASS) switches mono/stereo/bilingual without controller interaction

Baseband Audio Processing

- Delay line for "Lip Sync"

- Dolby Pro Logic II
- SRS TruSurround XT
- BBE High Definition Sound
- Virtual Dolby Surround
- Equalizer, Tone control, Subwoofer filter
- Micronas BASS, Micronas VOICE

Interfaces

- Two SIF inputs to the Demodulator
- 8-channel I2S inputs with sampling rate converter
- 5 analog stereo line inputs (to A/D or switched to line outputs)
- Loudspeaker D/A for L, C, R, SI, Sr, Sub channels with analog volume

- “High-Resolution PWM” outputs with volume for L, C, R, SI, Sr, Sub channels
- Headphone D/A with analog volume
- I2S outputs
- S/PDIF output
- Easy connection of Micronas’ MAS 35xyH co-processors

Evaluation Support

- “Visual MSP” Software Suite:

- I2C driver for PC parallel port
- Micronas “Visual I2C”
- “Visual-MSP” application

Evaluation Hardware:

- I2C adapter for PC parallel port
- Micronas Audio Motherboard
- Various evaluation boards

SERVICE MENU

Service Menu is entered by pressing “9, 3, 0, 1” keys on the remote controller when the OSD Menu is Picture icon is highlighted in the Main Menu.

Service Menu has 3 sub-menus. These are:

- Adjustment
- Selection
- Option

Navigation through these menus can be done by pressing OK button. Every adjustment made in this menu is saved automatically.

• **ADJUSTMENT**

Adjustment	Selection	Option
SLE40GN2HZ_SS01_T04_P00 29.11.2005 10:35 L6E_V1.113		
Factory Mode	On	
I2s Prescale	<div style="width: 10%; background-color: black;"></div>	19
Scart Prescale	<div style="width: 20%; background-color: black;"></div>	30
Nicam Prescale	<div style="width: 40%; background-color: black;"></div>	70
FM/AM Prescale	<div style="width: 20%; background-color: black;"></div>	31
AGC Adjust	<div style="width: 30%; background-color: black;"></div>	15
White R	<div style="width: 40%; background-color: black;"></div>	127
White G	<div style="width: 40%; background-color: black;"></div>	127
White B	<div style="width: 40%; background-color: black;"></div>	127
Pip White R	<div style="width: 40%; background-color: black;"></div>	127
Pip White G	<div style="width: 40%; background-color: black;"></div>	127
Pip White B	<div style="width: 40%; background-color: black;"></div>	127

FACTORY MODE : There are two(2) values for this adjustment “OFF” and “ON”. When “OFF” is set, the unit goes to stand-by at start up else the unit operates directly.

I2S PRESCALE : This topic adjusts the level of the volume received via HDMI.

SCART PRESCALE : This topic adjusts the level of Analog Stereo Sound at MSP Scart Audio inputs.

NICAM PRESCALE : This topic adjusts the level of NICAM Stereo Sound at MSP IF Audio inputs.

FM/AM PRESCALE : This topic adjusts the level of FM/AM Stereo Sound at MSP IF Audio inputs.

AGC : Adjusts the AGC(Automatic Gain Control) value

WHITE R / WHITE G / WHITE B/ PIP WHITE R / PIP WHITE G / PIP WHITE B

These are used for color bias adjustment. Unlike other items in the service menu, changes will take effect immediately.

- **SELECTION**

Adjustment	Selection	Option
SLE40GN2HZ_SS01_T04_P00	29.11.2005 10:35	L6E_V1.113
Factory Reset	press <OK> to reset	
Backlight	<input type="text" value="15"/>	
Tuner Type	<input type="text" value="Philips"/>	
Teletext	<input type="text" value="Fast"/>	
Timer Mode	<input type="text" value="Sleep Timer"/>	
MSP Clip	<input type="text" value="Reduce Vol"/>	

- FACTORY RESET** : Resets all the values to factory values.
- BACKLIGHT** : Selects the backlight illumination level of the panel.
- TUNER TYPE** : Selects the type of the tuner, should be selected parallel to the tuner used in the unit.
- TELETEXT** : Selects the Teletext type(No Text, Fast, Fast&Top).
- TIMER MODE** : If OFF TIMER is selected, the user will be able to enter time of the day info for the TV to switch off. If SLEEP TIMER is selected, the user can specify some time period, after which the TV will go to stand by automatically.
- MSP CLIP** : There are four(4) values for this topic, with “Reduce Vol” MSP output limiting is done by Volume, with “Reduce Tone” MSP output limiting is done by bass and treble, with “Compromise” MSP output limiting is done by volume, bass and treble, and with “Dynamic” MSP output limiting is done automatically internal by IC.
- HOTEL MAX VOLUME** : By this topic the volume level at Hotel Mode can be limited, also see HOTEL MODE under OPTIONS.
- COUNTRY** : Selects the Country.

- **OPTIONS**

Adjustment	Selection	Option
SLE40GN2HZ_SS01_T04_P00	29.11.2005 10:35	L6E_V1.113
Hotel Mode		Off
Stby Recall		On
Recall Last AV		Off
MSP Carrier Mute		Off
WSS RF		Off
Auto AV 16:10		Off
First ATS		Off
Headphone		Off
Parental Lock		Off

HOTEL MODE : Enabling Hotel Mode has two effects. First, SETUP menu is no longer accessible by the user. Second, maximum adjustable volume value is limited to HOTEL VOLUME value.

STDBY RECALL : If this Option is “OFF”, the TV will stay in Stand By mode when switched on. If this Option is “ON”, the TV will recall its last stand by status

RECALL LAST AV : If this Option is “ON”, then the TV will recall the last AV mode when switched on, If this Option is “OFF” then will start up with st-by.

MSP CAR. MUTE : If this option is “ON”, sound processor’s carrier mute functionality will be enabled. The MSP will mute the sound automatically if the signal quality is bad. Setting this option “OFF” will disable this function.

WSS RF : If this option is “ON”, TV automatically goes to WSS mode when recognized via RF. Setting this option “OFF” will disable this function.

AUTO AV 16:9 : If this option is “ON”, TV automatically goes to 16:9 mode when recognized via AVs. Setting this option “OFF” will disable this function.

FIRST ATS : If this option is set to ON, TV will display Country Selection menu in the next start. After some country is selected, the user will be prompted for the start of Auto Programming process.

HEADPHONE : If the LCD consist Headphone this parameter will be opted as “ON” else “OFF”

PARENTAL LOCK : When “ON” set, then “Parental LOCK” is added at OSD.

SERVICE MODE ADJUSTMENTS			
ITEM NAME	OPTIONS/VALUES	DEFAULT VALUES FOR LE(LCD)	DEFAULT VALUES FOR PE(PLASMA)
ADJUSTMENTS			
FACTORY MODE	ON / OFF	OFF	OFF
I2S PRESCALE		16	16
SCART PRESCALE		31	31
NICAM PRESCALE		70	70
FM/AM PRESCALE		31	31
AGC ADJUST		15	15
WHITE R		Are adjusted automatically after FACTORY RESET, No need to adjust manually	Are adjusted automatically after FACTORY RESET, No need to adjust manually
WHITE G			
WHITE B			
PIP WHITE R			
PIP WHITE G			
PIP WHITE B			
SELECTIONS			
FACTORY RESET			
BACKLIGHT		15	15
TUNER TYPE		PHILIPS	PHILIPS
TELETEXT	NO TEXT	OPTIONAL	OPTIONAL
	FAST		
	FAST&TOP		
TIMER MODE	SLEEP TIMER	OFF TIMER	OFF TIMER
	OFF TIMER		
MSP CLIP	REDUCE VOL	DYNAMIC	DYNAMIC
	REDUCE TONE		
	COMPROMISE		
	DYNAMIC		
COUNTRY			
OPTIONS			
HOTEL MAX VOL		40	20
HOTEL MODE	ON/OFF	OFF	OFF
STDBY RECALL	ON/OFF	ON	ON
RECALL LAST AV	ON/OFF	OPTIONAL	OPTIONAL
MSP CAR. MUT.	ON/OFF	OFF	OFF
WSS RF	ON/OFF	OPTIONAL	OPTIONAL
AUTO AV 16:9	ON/OFF	OFF	OFF
FIRST ATS	ON/OFF	ON	ON
HEADPHONE	ON/OFF	OPTIONAL	OPTIONAL
KEYBOARD	ON/OFF	OPTIONAL	OPTIONAL
VIRTUAL DOLBY	ON/OFF	OPTIONAL	OPTIONAL
SUBWOOFER	ON/OFF	OPTIONAL	OPTIONAL

Position	Part Code	Part Description	Position	Part Code	Part Description
C354	292114R	ICC-CHIP 1NF K 50V /0603 X7R	C495	291336R	ICC-CHIP 3.3PF B 50V /0603 NPO
C355	292114R	ICC-CHIP 1NF K 50V /0603 X7R	C496	291226R	ICC-CHIP 220PF J 50V /0603 NPO TAPE
C356	292114R	ICC-CHIP 1NF K 50V /0603 X7R	C497	291476R	ICC-CHIP 470PF J 50V /0603 NPO T&R
C357	292114R	ICC-CHIP 1NF K 50V /0603 X7R	C498	291476R	ICC-CHIP 470PF J 50V /0603 NPO T&R
C358	292114R	ICC-CHIP 1NF K 50V /0603 X7R	C499	291476R	ICC-CHIP 470PF J 50V /0603 NPO T&R
C359	292114R	ICC-CHIP 1NF K 50V /0603 X7R	C500	251112R	IEC 100UF 50V RS 11*5 TAPING R=5MM
C360	251112R	IEC 100UF 50V RS 11*5 TAPING R=5MM	C501	251112R	IEC 100UF 50V RS 11*5 TAPING R=5MM
C361	251112R	IEC 100UF 50V RS 11*5 TAPING R=5MM	C502	251112R	IEC 100UF 50V RS 11*5 TAPING R=5MM
C363	251112R	IEC 100UF 50V RS 11*5 TAPING R=5MM	C503	294122R	ICC-CHIP 100NF K 50V /0603 X7R
C364	251112R	IEC 100UF 50V RS 11*5 TAPING R=5MM	C504	292114R	ICC-CHIP 1NF K 50V /0603 X7R
C365	251112R	IEC 100UF 50V RS 11*5 TAPING R=5MM	C505	292114R	ICC-CHIP 1NF K 50V /0603 X7R
C366	251112R	IEC 100UF 50V RS 11*5 TAPING R=5MM	C506	292114R	ICC-CHIP 1NF K 50V /0603 X7R
C367	251112R	IEC 100UF 50V RS 11*5 TAPING R=5MM	C507	292114R	ICC-CHIP 1NF K 50V /0603 X7R
C368	251112R	IEC 100UF 50V RS 11*5 TAPING R=5MM	C541	294122R	ICC-CHIP 100NF K 50V /0603 X7R
C369	251112R	IEC 100UF 50V RS 11*5 TAPING R=5MM	C542	294122R	ICC-CHIP 100NF K 50V /0603 X7R
C370	293113R	ICC-CHIP 10NF K 50V /0603 X7R	C544	294122R	ICC-CHIP 100NF K 50V /0603 X7R
C371	293113R	ICC-CHIP 10NF K 50V /0603 X7R	C545	294234R	ICC-CHIP 220NF K 16V /0603 X7R
C373	290186R	ICC-CHIP 18PF J 50V /0603 NPO	C546	294234R	ICC-CHIP 220NF K 16V /0603 X7R
C374	290186R	ICC-CHIP 18PF J 50V /0603 NPO	C547	294234R	ICC-CHIP 220NF K 16V /0603 X7R
C377	294122R	ICC-CHIP 100NF K 50V /0603 X7R	C548	294234R	ICC-CHIP 220NF K 16V /0603 X7R
C400	294122R	ICC-CHIP 100NF K 50V /0603 X7R	C549	294234R	ICC-CHIP 220NF K 16V /0603 X7R
C401	294122R	ICC-CHIP 100NF K 50V /0603 X7R	C550	294234R	ICC-CHIP 220NF K 16V /0603 X7R
C402	294122R	ICC-CHIP 100NF K 50V /0603 X7R	C551	294234R	ICC-CHIP 220NF K 16V /0603 X7R
C403	294122R	ICC-CHIP 100NF K 50V /0603 X7R	C552	294234R	ICC-CHIP 220NF K 16V /0603 X7R
C404	294122R	ICC-CHIP 100NF K 50V /0603 X7R	C553	252112R	IEC 100UF 16V 11*6 R-5
C408	295476R	ICC-CHIP 4.7UF K 16V /805 X5R	C554	292114R	ICC-CHIP 1NF K 50V /0603 X7R
C409	292114R	ICC-CHIP 1NF K 50V /0603 X7R	C555	292114R	ICC-CHIP 1NF K 50V /0603 X7R
C410	292114R	ICC-CHIP 1NF K 50V /0603 X7R	C556	292114R	ICC-CHIP 1NF K 50V /0603 X7R
C411	294234R	ICC-CHIP 220NF K 16V /0603 X7R	C557	292114R	ICC-CHIP 1NF K 50V /0603 X7R
C412	295476R	ICC-CHIP 4.7UF K 16V /805 X5R	C558	291155R	ICC-CHIP 150PF J 50V /0603 TAPE
C413	294234R	ICC-CHIP 220NF K 16V /0603 X7R	C559	291155R	ICC-CHIP 150PF J 50V /0603 TAPE
C414	295476R	ICC-CHIP 4.7UF K 16V /805 X5R	C561	252462R	IEC 470UF 16V 12.5*10 R-5
C415	295476R	ICC-CHIP 4.7UF K 16V /805 X5R	C562	291104R	ICC-CHIP 100PF J 50V /0603 NPO
C416	295476R	ICC-CHIP 4.7UF K 16V /805 X5R	C563	291104R	ICC-CHIP 100PF J 50V /0603 NPO
C417	295476R	ICC-CHIP 4.7UF K 16V /805 X5R	C564	291104R	ICC-CHIP 100PF J 50V /0603 NPO
C418	295476R	ICC-CHIP 4.7UF K 16V /805 X5R	C565	291104R	ICC-CHIP 100PF J 50V /0603 NPO
C419	295476R	ICC-CHIP 4.7UF K 16V /805 X5R	C566	291104R	ICC-CHIP 100PF J 50V /0603 NPO
C420	295476R	ICC-CHIP 4.7UF K 16V /805 X5R	C567	291104R	ICC-CHIP 100PF J 50V /0603 NPO
C421	292114R	ICC-CHIP 1NF K 50V /0603 X7R	C568	291104R	ICC-CHIP 100PF J 50V /0603 NPO
C422	292153R	ICC-CHIP 1.5NF K 50V /0603 X7R TAPE	C569	291104R	ICC-CHIP 100PF J 50V /0603 NPO
C423	292153R	ICC-CHIP 1.5NF K 50V /0603 X7R TAPE	C570	291104R	ICC-CHIP 100PF J 50V /0603 NPO
C424	292153R	ICC-CHIP 1.5NF K 50V /0603 X7R TAPE	C571	291104R	ICC-CHIP 100PF J 50V /0603 NPO
C425	292153R	ICC-CHIP 1.5NF K 50V /0603 X7R TAPE	C572	291104R	ICC-CHIP 100PF J 50V /0603 NPO
C426	292153R	ICC-CHIP 1.5NF K 50V /0603 X7R TAPE	C573	291104R	ICC-CHIP 100PF J 50V /0603 NPO
C427	250332R	IEC 3.3UF 50V 11*5 R-5	C574	291104R	ICC-CHIP 100PF J 50V /0603 NPO
C428	251112R	IEC 100UF 50V RS 11*5 TAPING R=5MM	C575	291104R	ICC-CHIP 100PF J 50V /0603 NPO
C429	251112R	IEC 100UF 50V RS 11*5 TAPING R=5MM	C576	290335R	ICC-CHIP 33PF J 50V /0603 NPO TAPE
C430	251112R	IEC 100UF 50V RS 11*5 TAPING R=5MM	C577	290335R	ICC-CHIP 33PF J 50V /0603 NPO TAPE
C431	251112R	IEC 100UF 50V RS 11*5 TAPING R=5MM	C578	290335R	ICC-CHIP 33PF J 50V /0603 NPO TAPE
C432	251112R	IEC 100UF 50V RS 11*5 TAPING R=5MM	C580	290335R	ICC-CHIP 33PF J 50V /0603 NPO TAPE
C433	292228R	ICC-CHIP 2.2NF K 50V/0603 X7R	C581	290335R	ICC-CHIP 33PF J 50V /0603 NPO TAPE
C434	292228R	ICC-CHIP 2.2NF K 50V/0603 X7R	C582	251499R	IEC 47UF 50V M 11*6.3 R-5MM
C435	292228R	ICC-CHIP 2.2NF K 50V/0603 X7R	C583	292475R	ICC-CHIP 4.7NF K 50V /0603 X7R
C436	292228R	ICC-CHIP 2.2NF K 50V/0603 X7R	C584	292475R	ICC-CHIP 4.7NF K 50V /0603 X7R
C437	252112R	IEC 100UF 16V 11*6 R-5	C585	292475R	ICC-CHIP 4.7NF K 50V /0603 X7R
C438	252112R	IEC 100UF 16V 11*6 R-5	C586	292475R	ICC-CHIP 4.7NF K 50V /0603 X7R
C439	292114R	ICC-CHIP 1NF K 50V /0603 X7R	C587	291272R	ICC-CHIP 270PF J 50V /0603 NPO TAPE
C440	295476R	ICC-CHIP 4.7UF K 16V /805 X5R	C600	294122R	ICC-CHIP 100NF K 50V /0603 X7R
C441	292114R	ICC-CHIP 1NF K 50V /0603 X7R	C601	294122R	ICC-CHIP 100NF K 50V /0603 X7R
C442	292114R	ICC-CHIP 1NF K 50V /0603 X7R	C602	294122R	ICC-CHIP 100NF K 50V /0603 X7R
C443	292114R	ICC-CHIP 1NF K 50V /0603 X7R	C603	290122R	ICC-CHIP 12PF J 50V /0603
C444	292114R	ICC-CHIP 1NF K 50V /0603 X7R	C604	290122R	ICC-CHIP 12PF J 50V /0603
C445	292114R	ICC-CHIP 1NF K 50V /0603 X7R	C605	290122R	ICC-CHIP 12PF J 50V /0603
C446	292114R	ICC-CHIP 1NF K 50V /0603 X7R	C700	253128R	IEC 1000UF 16V 20*10 R-5 LOW ESR
C447	292114R	ICC-CHIP 1NF K 50V /0603 X7R	C701	294122R	ICC-CHIP 100NF K 50V /0603 X7R
C448	292114R	ICC-CHIP 1NF K 50V /0603 X7R	C702	294122R	ICC-CHIP 100NF K 50V /0603 X7R
C449	292114R	ICC-CHIP 1NF K 50V /0603 X7R	C704	294122R	ICC-CHIP 100NF K 50V /0603 X7R
C450	292114R	ICC-CHIP 1NF K 50V /0603 X7R	C705	294122R	ICC-CHIP 100NF K 50V /0603 X7R
C451	292114R	ICC-CHIP 1NF K 50V /0603 X7R	C706	294122R	ICC-CHIP 100NF K 50V /0603 X7R
C452	292114R	ICC-CHIP 1NF K 50V /0603 X7R	C707	294122R	ICC-CHIP 100NF K 50V /0603 X7R
C453	292114R	ICC-CHIP 1NF K 50V /0603 X7R	C708	294122R	ICC-CHIP 100NF K 50V /0603 X7R
C454	292114R	ICC-CHIP 1NF K 50V /0603 X7R	C709	294122R	ICC-CHIP 100NF K 50V /0603 X7R
C455	292114R	ICC-CHIP 1NF K 50V /0603 X7R	C710	294122R	ICC-CHIP 100NF K 50V /0603 X7R
C456	292114R	ICC-CHIP 1NF K 50V /0603 X7R	C711	251222R	IEC 22UF 50V RS 11*6.3 TAPING
C457	292114R	ICC-CHIP 1NF K 50V /0603 X7R	C712	252112R	IEC 100UF 16V 11*6 R-5
C458	292114R	ICC-CHIP 1NF K 50V /0603 X7R	C713	294122R	ICC-CHIP 100NF K 50V /0603 X7R
C459	292114R	ICC-CHIP 1NF K 50V /0603 X7R	C714	252112R	IEC 100UF 16V 11*6 R-5
C460	292114R	ICC-CHIP 1NF K 50V /0603 X7R	C715	252112R	IEC 100UF 16V 11*6 R-5
C461	292114R	ICC-CHIP 1NF K 50V /0603 X7R	C716	252112R	IEC 100UF 16V 11*6 R-5
C462	292114R	ICC-CHIP 1NF K 50V /0603 X7R	C717	252112R	IEC 100UF 16V 11*6 R-5
C463	292114R	ICC-CHIP 1NF K 50V /0603 X7R	C718	252112R	IEC 100UF 16V 11*6 R-5
C464	292114R	ICC-CHIP 1NF K 50V /0603 X7R	C719	252112R	IEC 100UF 16V 11*6 R-5
C465	292114R	ICC-CHIP 1NF K 50V /0603 X7R	C720	252112R	IEC 100UF 16V 11*6 R-5
C466	292114R	ICC-CHIP 1NF K 50V /0603 X7R	C721	252462R	IEC 470UF 16V 12.5*10 R-5
C467	292114R	ICC-CHIP 1NF K 50V /0603 X7R	C724	251112R	IEC 100UF 50V RS 11*5 TAPING R=5MM
C468	292114R	ICC-CHIP 1NF K 50V /0603 X7R	C726	294122R	ICC-CHIP 100NF K 50V /0603 X7R
C469	290562R	ICC-CHIP 56PF J 50V/0603 NPO TAPE	C728	253128R	IEC 1000UF 16V 20*10 R-5 LOW ESR
C470	290562R	ICC-CHIP 56PF J 50V/0603 NPO TAPE	C729	252105R	IEC 100UF 50V 12*8 R-5
C471	290562R	ICC-CHIP 56PF J 50V/0603 NPO TAPE	C730	291688R	ICC-CHIP 880PF J 0603 50V NPO
C472	251499R	IEC 47UF 50V M 11*6.3 R-5MM	C732	253115R	IEC 1000UF 16V 20*10 R-5
C473	251499R	IEC 47UF 50V M 11*6.3 R-5MM	C738	253115R	IEC 1000UF 16V 20*10 R-5
C474	251499R	IEC 47UF 50V M 11*6.3 R-5MM	C750	290223R	ICC-CHIP 22PF J 50V /0603 NPO TAPE
C475	251499R	IEC 47UF 50V M 11*6.3 R-5MM	C751	252105R	IEC 100UF 50V 12*8 R-5
C476	251499R	IEC 47UF 50V M 11*6.3 R-5MM	C752	292475R	ICC-CHIP 4.7NF K 50V /0603 X7R
C477	251499R	IEC 47UF 50V M 11*6.3 R-5MM	C753	295476R	ICC-CHIP 4.7UF K 16V /805 X5R
C478	291155R	ICC-CHIP 150PF J 50V /0603 TAPE	C754	299351R	ICC-CHIP 1UF 25V X7R 1206
C479	291155R	ICC-CHIP 150PF J 50V /0603 TAPE	C755	292277R	ICC-CHIP 2.7NF K 50V /0603 X7R
C480	291155R	ICC-CHIP 150PF J 50V /0603 TAPE	C756	295110R	ICC-CHIP 1UF K 16V /0805 X7R
C481	291155R	ICC-CHIP 150PF J 50V /0603 TAPE	C757	253106R	IEC 1000UF 25V 20*13 R-5
C482	291155R	ICC-CHIP 150PF J 50V /0603 TAPE	C758	294331R	ICC-CHIP 330NF K 16V /0805 X7R
C483	291155R	ICC-CHIP 150PF J 50V /0603 TAPE	C759	274474R	CC-PEM 470NF J 163V R-5
C489	291393R	ICC-CHIP 390PF J 50V /0603 NPO TAPE	C760	294122R	ICC-CHIP 100NF K 50V /0603 X7R
C490	291393R	ICC-CHIP 390PF J 50V /0603 NPO TAPE	C761	294122R	ICC-CHIP 100NF K 50V /0603 X7R
C491	294122R	ICC-CHIP 100NF K 50V /0603 X7R	C762	291393R	ICC-CHIP 390PF J 50V /0603 NPO TAPE

Position	Part Code	Part Description	Position	Part Code	Part Description
C764	252105R	IEC 100UF 50V 12*8 R-5	C971	294122R	CC-CHIP 100NF K 50V /0603 X7R
C765	292475R	ICC-CHIP 4.7NF K 50V /0603 X7R	C972	294122R	CC-CHIP 100NF K 50V /0603 X7R
C766	295476R	ICC-CHIP 4.7UF K 16V /805 X5R	C973	294122R	CC-CHIP 100NF K 50V /0603 X7R
C767	299351R	ICC-CHIP 1UF 25V X7R 1206	C974	294122R	CC-CHIP 100NF K 50V /0603 X7R
C768	252277R	ICC-CHIP 2.7NF K 50V/0603 X7R	C975	294122R	CC-CHIP 100NF K 50V /0603 X7R
C769	295110R	ICC-CHIP 1UF K 16V /0805 X7R	C976	294122R	CC-CHIP 100NF K 50V /0603 X7R
C770	253106R	IEC 100UF 25V 20*13 R-5	C979	294122R	CC-CHIP 100NF K 50V /0603 X7R
C771	294331R	ICC-CHIP 330NF K 16V /0805 X7R	C980	294122R	CC-CHIP 100NF K 50V /0603 X7R
C772	2744474R	IC-PEM 470NF J 63V R-5	C982	294122R	CC-CHIP 100NF K 50V /0603 X7R
C773	294122R	ICC-CHIP 100NF K 50V /0603 X7R	C983	294122R	CC-CHIP 100NF K 50V /0603 X7R
C774	294122R	ICC-CHIP 100NF K 50V /0603 X7R	C985	294122R	CC-CHIP 100NF K 50V /0603 X7R
C775	291393R	ICC-CHIP 390PF J 50V /0603 NPO TAPE	C986	251222R	IEC 22UF 50V RS 11*6.3 TAPING
C797	253338R	IEC 220UF 35V 16*20 R-7.5	C987	251222R	IEC 22UF 50V RS 11*6.3 TAPING
C800	293113R	ICC-CHIP 10NF K 50V /0603 X7R	C988	251222R	IEC 22UF 50V RS 11*6.3 TAPING
C801	293113R	ICC-CHIP 10NF K 50V /0603 X7R	C989	251222R	IEC 22UF 50V RS 11*6.3 TAPING
C802	294122R	ICC-CHIP 100NF K 50V /0603 X7R	C990	251222R	IEC 22UF 50V RS 11*6.3 TAPING
C803	293113R	ICC-CHIP 10NF K 50V /0603 X7R	C991	251222R	IEC 22UF 50V RS 11*6.3 TAPING
C804	294122R	ICC-CHIP 100NF K 50V /0603 X7R	C992	251222R	IEC 22UF 50V RS 11*6.3 TAPING
C805	294122R	ICC-CHIP 100NF K 50V /0603 X7R	C993	251222R	IEC 22UF 50V RS 11*6.3 TAPING
C806	294122R	ICC-CHIP 100NF K 50V /0603 X7R	C994	251222R	IEC 22UF 50V RS 11*6.3 TAPING
C807	294122R	ICC-CHIP 100NF K 50V /0603 X7R	C995	251222R	IEC 22UF 50V RS 11*6.3 TAPING
C808	293113R	ICC-CHIP 10NF K 50V /0603 X7R	C996	251222R	IEC 22UF 50V RS 11*6.3 TAPING
C809	294122R	ICC-CHIP 100NF K 50V /0603 X7R	C997	251222R	IEC 22UF 50V RS 11*6.3 TAPING
C810	293113R	ICC-CHIP 10NF K 50V /0603 X7R	C998	293113R	ICC-CHIP 10NF K 50V /0603 X7R
C811	294122R	ICC-CHIP 100NF K 50V /0603 X7R	C999	293113R	ICC-CHIP 10NF K 50V /0603 X7R
C812	293113R	ICC-CHIP 10NF K 50V /0603 X7R	CN1	032982R	CON.MALE. 6.POL.HOR. 250G1-R05 SST WHITE
C813	293113R	ICC-CHIP 10NF K 50V /0603 X7R	CN1	031206R	CONN.HOUS.5P 2317-5S.JST B 5B-XH-A WHITE
C814	251222R	IEC 22UF 50V RS 11*6.3 TAPING	CN3	031396R	CON.CINCH.SST.396G1-R.32LU.YATIK/2PIN
C815	251222R	IEC 22UF 50V RS 11*6.3 TAPING	CUZAY	274478R	IC-PEM 470NF K 275VAC R.22.5 CLASS-B
C816	294122R	ICC-CHIP 100NF K 50V /0603 X7R	D	011346R	SCREW SELF TAPP 2.9*9.5
C817	293113R	ICC-CHIP 10NF K 50V /0603 X7R	D1	302400R	LED BLUE L-5T3UB41C-D2 800MCAD 3.2V
C818	251222R	IEC 22UF 50V RS 11*6.3 TAPING	D1	7S2204F	HOLD LED 28K15
C900	294122R	ICC-CHIP 100NF K 50V /0603 X7R	D100	303497R	DIODE CHIP IMBD4148 SOT 23
C901	294122R	ICC-CHIP 100NF K 50V /0603 X7R	D1001	303489R	DIODE BRIDGE 6A 600V KBU6J
C902	294122R	ICC-CHIP 100NF K 50V /0603 X7R	D1003	2Z7313	INSULATOR SILICON 22.5*15
C903	294122R	ICC-CHIP 100NF K 50V /0603 X7R	D1003	303483R	DIODE RHRP1560 TC-220AC
C904	294122R	ICC-CHIP 100NF K 50V /0603 X7R	D1003	50S313	INSULATOR SILICON 19.5*12*25
C905	294122R	ICC-CHIP 100NF K 50V /0603 X7R	D1005	303492R	DIODE MUR160 1A 600V ULTRAFAST DO-15
C906	294122R	ICC-CHIP 100NF K 50V /0603 X7R	D1006	303492R	DIODE MUR160 1A 600V ULTRAFAST DO-15
C907	294122R	ICC-CHIP 100NF K 50V /0603 X7R	D1007	304410R	DIODE FFPF06UP20S 200V/6A/30NS/TO-220F-2
C908	294122R	ICC-CHIP 100NF K 50V /0603 X7R	D1008	303195R	DIODE 4148 MELF SOD-80C
C909	294122R	ICC-CHIP 100NF K 50V /0603 X7R	D1009	303492R	DIODE MUR160 1A 600V ULTRAFAST DO-15
C910	294122R	ICC-CHIP 100NF K 50V /0603 X7R	D101	303497R	DIODE CHIP IMBD4148 SOT 23
C911	294122R	ICC-CHIP 100NF K 50V /0603 X7R	D1010	303492R	DIODE MUR160 1A 600V ULTRAFAST DO-15
C912	294122R	ICC-CHIP 100NF K 50V /0603 X7R	D1012	303459R	DIODE STH2003CT T0220
C913	294122R	ICC-CHIP 100NF K 50V /0603 X7R	D1013	303459R	DIODE STH2003CT T0220
C914	294122R	ICC-CHIP 100NF K 50V /0603 X7R	D1014	303459R	DIODE STH2003CT T0220
C915	294122R	ICC-CHIP 100NF K 50V /0603 X7R	D1015	303459R	DIODE STH2003CT T0220
C916	294122R	ICC-CHIP 100NF K 50V /0603 X7R	D1016	303459R	DIODE STH2003CT T0220
C917	294122R	ICC-CHIP 100NF K 50V /0603 X7R	D1017	303459R	DIODE STH2003CT T0220
C918	294122R	ICC-CHIP 100NF K 50V /0603 X7R	D1019	303492R	DIODE MUR160 1A 600V ULTRAFAST DO-15
C919	294122R	ICC-CHIP 100NF K 50V /0603 X7R	D103	303223R	DIODE-CHIP BA682 SOD80
C920	294122R	ICC-CHIP 100NF K 50V /0603 X7R	D104	303223R	DIODE-CHIP BA682 SOD80
C921	294122R	ICC-CHIP 100NF K 50V /0603 X7R	D1500	303464R	DIODE-CHIP STPS340U
C922	294122R	ICC-CHIP 100NF K 50V /0603 X7R	D1501	303867R	DIODE-CHIP SL23 DO214AA
C923	294122R	ICC-CHIP 100NF K 50V /0603 X7R	D1502	303867R	DIODE-CHIP SL23 DO214AA
C924	294122R	ICC-CHIP 100NF K 50V /0603 X7R	D400	303497R	DIODE CHIP IMBD4148 SOT 23
C925	294122R	ICC-CHIP 100NF K 50V /0603 X7R	D402	303510R	DIODE-CHIP BZX84C-18V SOT23
C926	294122R	ICC-CHIP 100NF K 50V /0603 X7R	D506	303261R	DIODE-CHIP Z BZX84-C5V6 SOT123
C927	294122R	ICC-CHIP 100NF K 50V /0603 X7R	D507	303261R	DIODE-CHIP Z BZX84-C5V6 SOT123
C928	294122R	ICC-CHIP 100NF K 50V /0603 X7R	D607	303818R	DIODE-CHIP BAV99L1T1 SOT23 T&R
C929	294122R	ICC-CHIP 100NF K 50V /0603 X7R	D608	303818R	DIODE-CHIP BAV99L1T1 SOT23 T&R
C930	294122R	ICC-CHIP 100NF K 50V /0603 X7R	D609	300107R	DIODE-CHIP BAV70L T1 SOT23
C931	294122R	ICC-CHIP 100NF K 50V /0603 X7R	D610	300107R	DIODE-CHIP BAV70L T1 SOT23
C932	294122R	ICC-CHIP 100NF K 50V /0603 X7R	D611	300107R	DIODE-CHIP BAV70L T1 SOT23
C933	294122R	ICC-CHIP 100NF K 50V /0603 X7R	D701	303497R	DIODE CHIP IMBD4148 SOT 23
C934	294122R	ICC-CHIP 100NF K 50V /0603 X7R	D750	303503R	DIODE-CHIP Z BZX84-6V2 SOT23 (Z60)
C935	294122R	ICC-CHIP 100NF K 50V /0603 X7R	D751	303867R	DIODE-CHIP SL23 DO214AA
C936	294122R	ICC-CHIP 100NF K 50V /0603 X7R	D752	303867R	DIODE-CHIP SL23 DO214AA
C937	294122R	ICC-CHIP 100NF K 50V /0603 X7R	D753	303503R	DIODE-CHIP Z BZX84-6V2 SOT23 (Z60)
C938	294122R	ICC-CHIP 100NF K 50V /0603 X7R	D761	303867R	DIODE-CHIP SL23 DO214AA
C939	294122R	ICC-CHIP 100NF K 50V /0603 X7R	D762	303497R	DIODE CHIP IMBD4148 SOT 23
C940	273471R	IC-PEM 47NF K 63V R-5	D763	303867R	DIODE-CHIP SL23 DO214AA
C940	294122R	ICC-CHIP 100NF K 50V /0603 X7R	D764	303497R	DIODE CHIP IMBD4148 SOT 23
C941	273471R	IC-PEM 47NF K 63V R-5	D900	303348R	DIODE-CHIP BAT54 SOT23
C941	294122R	ICC-CHIP 100NF K 50V /0603 X7R	D901	303348R	DIODE-CHIP BAT54 SOT23
C942	294122R	ICC-CHIP 100NF K 50V /0603 X7R	DUGPRG	011814R	SCREW SELF TAPPING 2.9*9.5
C943	294122R	ICC-CHIP 100NF K 50V /0603 X7R	FB1000	179005R	IRC-CHIP OR /0603 1.6*0.8 TAPE
C944	294122R	ICC-CHIP 100NF K 50V /0603 X7R	FS1001	054290R	FUSE 5.0A 250V ROUND
C945	294122R	ICC-CHIP 100NF K 50V /0603 X7R	HOP	011816R	SCREW SELF TAPPING 2.9*13 W/W
C946	294122R	ICC-CHIP 100NF K 50V /0603 X7R	HOPAS/ONCER	011965R	SCREW EJOT 35X12
C947	294122R	ICC-CHIP 100NF K 50V /0603 X7R	HOPASKI/ARKA	011965R	SCREW EJOT 35X12
C948	294122R	ICC-CHIP 100NF K 50V /0603 X7R	HOPON/ARKA	011965R	SCREW EJOT 35X12
C949	294122R	ICC-CHIP 100NF K 50V /0603 X7R	HS1000	ZS2301-0H	HEAT SINK L6 PSU L.25MM H.35MM
C950	294122R	ICC-CHIP 100NF K 50V /0603 X7R	HS1000	ZS2301R	HEAT SINK L6 PSU L.25MM H.35MM
C951	294122R	ICC-CHIP 100NF K 50V /0603 X7R	HS1001	ZS2302-1H	HEAT SINK L6 PSU L.95MM H.35MM
C952	294122R	ICC-CHIP 100NF K 50V /0603 X7R	HS1001	ZS2302R	HEAT SINK L6 PSU L.95MM H.35MM
C953	294122R	ICC-CHIP 100NF K 50V /0603 X7R	HS1002	ZS4301-2H	HEAT SINK LE PSU L.70MM H.35MM
C954	294122R	ICC-CHIP 100NF K 50V /0603 X7R	HS1002	ZS4301R	HEAT SINK LE PSU L.70MM H.35MM (HS1002)
C955	294122R	ICC-CHIP 100NF K 50V /0603 X7R	HS1003	ZS4301-3H	HEAT SINK LE PSU L.70MM H.35MM
C956	294122R	ICC-CHIP 100NF K 50V /0603 X7R	HS1003	ZS4301R	HEAT SINK LE PSU L.70MM H.35MM (HS1002)
C957	294122R	ICC-CHIP 100NF K 50V /0603 X7R	HS1004	ZS2305-0H	HEAT SINK LE PSU H.25MM(HS1004)
C958	294122R	ICC-CHIP 100NF K 50V /0603 X7R	HS1004	ZS2305R	HEAT SINK LE PSU H.25MM(HS1004)
C959	294122R	ICC-CHIP 100NF K 50V /0603 X7R	IC1001	453521R	IC-CHIP MC33262 SO-8
C960	294122R	ICC-CHIP 100NF K 50V /0603 X7R	IC1002	453990R	IC FSDM0265RN DIP-8
C961	294122R	ICC-CHIP 100NF K 50V /0603 X7R	IC1003	453523R	IC-CHIP NCP1212DR2 SO-8
C962	294122R	ICC-CHIP 100NF K 50V /0603 X7R	IC1004	454511R	IC OPTOCOUPLER H11A817C
C963	294122R	ICC-CHIP 100NF K 50V /0603 X7R	IC1005	453524R	IC TLV431BLPRAG TO-92-3
C964	294122R	ICC-CHIP 100NF K 50V /0603 X7R	IC1006	454511R	IC OPTOCOUPLER H11A817C
C965	294122R	ICC-CHIP 100NF K 50V /0603 X7R	IC1007	451885R-1	IC TL431CLPRA G
C966	294122R	ICC-CHIP 100NF K 50V /0603 X7R	IC1008	454511R	IC OPTOCOUPLER H11A817C
C967	294122R	ICC-CHIP 100NF K 50V /0603 X7R	IR1	452521R-1	IR RECEIVER TSOP34838 SS1A
C968	294122R	ICC-CHIP 100NF K 50V /0603 X7R	IR1	7RZ290	HOLDER IR RECEIVER TSOP 1838 14.1
C969	294122R	ICC-CHIP 100NF K 50V /0603 X7R	L100	053937R	BOBIN RAD. 100UH K R.5MM LHL06TB

Position	Part Code	Part Description	Position	Part Code	Part Description
L1001	053916R	COIL 4.7UH 3A RADIAL R-10.7	R1009	034425R	MAKARONI UNFLAME 125C R:8MM L=20MM
L1002	053943R	COIL LE OUTPUT CHOKE 250W 2712.9004A	R1009	119100R	RM 0.1R J 2W R:17.5
L1003	034425R	MAKARONI UNFLAME 125C R:8MM L=20MM	R1009	172479R	RC-CHIP 4.7K J 1/16W /0603 TAPE
L1003	055528R	FERRITE BEAD 28C0236-0JW (STEWART)	R101	172224R	RC-CHIP 2.2K J 1/16W/0603 TAPE
L1004	055528R	FERRITE BEAD 28C0236-0JW (STEWART)	R1010	172479R	RC-CHIP 4.7K J 1/16W /0603 TAPE
L101	053837R	BOBIN RAD. 100UH K R:5MM LHL06TB	R1011	172479R	RC-CHIP 4.7K J 1/16W /0603 TAPE
L102	053811R	COIL 10UH /410MA LH06 RADIAL	R1012	114471R	RM 470K F 1/4W 52MM
L103	053811R	COIL 10UH /410MA LH06 RADIAL	R1012	114471R	RM 470K F 1/4W 52MM
L104	053805R	COIL-CHIP 1UH K /0805	R1012	104470R	CFR 470K J 1/4W /6 26MM
L105	053805R	COIL-CHIP 1UH K /0805	R1012	172479R	RC-CHIP 4.7K J 1/16W /0603 TAPE
L106	053805R	COIL-CHIP 1UH K /0805	R1013	114471R	RM 470K F 1/4W 52MM
L107	053805R	COIL-CHIP 1UH K /0805	R1013	114471R	RM 470K F 1/4W 52MM
L108	053935R	COIL-CHIP 10UH M 0805 CB2112T	R1013	104470R	CFR 470K J 1/4W /6 26MM
L109	053935R	COIL-CHIP 10UH M 0805 CB2112T	R1014	102487R	CFR 4.7K J 1/4W /6 26MM
L1904	053948R	COIL-CHIP 10UH M (10x10) DRRS105R	R1015	114102R	RMO 100K J 2W/52MM (R-15)
L1905	053946R	COIL-CHIP B82464G4223M EPCOS	R1016	172513R	RC-CHIP 5.1K J 1/16W /0603
L1906	053949R	COIL-CHIP 15UH M (10x10) DRRS105R	R1017	109477R	CFR 4.7R J 1/4W
L300	053935R	COIL-CHIP 10UH M 0805 CB2112T	R1018	101163R	CFR 150R J 1/4W 26MM
L301	053935R	COIL-CHIP 10UH M 0805 CB2112T	R1019	172479R	RC-CHIP 4.7K J 1/16W /0603 TAPE
L302	053935R	COIL-CHIP 10UH M 0805 CB2112T	R102	171107R	RC-CHIP 100R J 1/16W /0603
L303	053935R	COIL-CHIP 10UH M 0805 CB2112T	R1020	170333R	RC-CHIP 33R J 1/16W /0603 TAPE
L304	053935R	COIL-CHIP 10UH M 0805 CB2112T	R1021	173100R	RC-CHIP 10K J 1/10W /0603
L305	053935R	COIL-CHIP 10UH M 0805 CB2112T	R1022	172933R	RC-CHIP 15K %1 1/16W /0603 SERITLI
L306	053935R	COIL-CHIP 10UH M 0805 CB2112T	R1023	172104R	RC-CHIP 1K J 1/16W /0603
L307	053935R	COIL-CHIP 10UH M 0805 CB2112T	R1024	172484R	RC-CHIP 4.7K %1 1/16W /0603 T&R
L400	053935R	COIL-CHIP 10UH M 0805 CB2112T	R1024	171107R	RC-CHIP 100R J 1/16W /0603
L401	053935R	COIL-CHIP 10UH M 0805 CB2112T	R1025	101163R	CFR 150R J 1/4W 26MM
L402	053935R	COIL-CHIP 10UH M 0805 CB2112T	R1026	101223R	CFR 220R J 1/4W 52MM
L407	053935R	COIL-CHIP 10UH M 0805 CB2112T	R1027	172480R	RC-CHIP 4.7K J 1/16W/0603
L500	053935R	COIL-CHIP 10UH M 0805 CB2112T	R1028	171107R	RC-CHIP 100R J 1/16W /0603
L501	053935R	COIL-CHIP 10UH M 0805 CB2112T	R1028	172479R	RC-CHIP 4.7K J 1/16W /0603 TAPE
L701	053352R	COIL-CHOKE 10UH R0814 14.1	R1029	174824R	RC-CHIP 180K %1 1/16W /0603 TAPE
L703	053352R	COIL-CHOKE 10UH R0814 14.1	R1029	172479R	RC-CHIP 4.7K J 1/16W /0603 TAPE
L704	053352R	COIL-CHOKE 10UH R0814 14.1	R103	171107R	RC-CHIP 100R J 1/16W /0603
L705	053836R	COIL RAD. 10UH K 3.6A LHLC10TB	R1030	173394R	RC-CHIP 39K J 1/16W /0603 TAPE
L711	053837R	BOBIN RAD. 100UH K R:5MM LHL06TB	R1031	172513R	RC-CHIP 5.1K J 1/16W /0603
L750	053848R	COIL-CHIP 10UH M (10x10) DRRS105R	R1031	173100R	RC-CHIP 10K J 1/10W /0603
L751	053848R	COIL-CHIP 10UH M (10x10) DRRS105R	R1032	179828R	RC-CHIP 3.6K J 1/16W /0603
L900	053935R	COIL-CHIP 10UH M 0805 CB2112T	R1033	102479R	CFR 4.7K J 1/4W /6 52MM
LF1001	051860R	LINE FILT. 2*4MH 4.5A(24 16 005 01 01 20)	R1034	102479R	CFR 4.7K J 1/4W /6 52MM
LF1002	051372R	LINE FILTER (CM) 2X10MH 2.5A 6001.0063A	R1035	111100R	RMO 100R J 2W
MENU	010844R	ITACT SWITCH 2 LEG (MTSB)	R1035	173100R	RC-CHIP 10K J 1/10W /0603
MER/ONCER	011909R	ISCREW M2.9*6.5 YSBR-BK	R1036	119392R	RMO 0.39R J 2W
METAL BAG PART	011982R	ISCREW M3*6 SZN PAN HEAD	R1036	173100R	RC-CHIP 10K J 1/10W /0603
ON/OFF-IRLEDE	011815R	ISCREW SELF TAPP 2.9*9.5 W/W	R1037	173100R	RC-CHIP 10K J 1/10W /0603
P(-)	010844R	ITACT SWITCH 2 LEG (MTSB)	R1038	111101R	RMO 1K J 1W
P(+)	010844R	ITACT SWITCH 2 LEG (MTSB)	R1038	172104R	RC-CHIP 1K J 1/16W /0603
PAN/ONCER	011908R	ISCREW M2.9*9.5 YSBR TRILOBULAR	R1039	173100R	RC-CHIP 10K J 1/10W /0603
PANTAS-DUSA	011832R	ISCREW M4*12 PAN HEAD	R104	171107R	RC-CHIP 100R J 1/16W /0603
PAN-TASPAN	011974R	ISCREW M4*8 YSB	R1040	172125R	RC-CHIP 1.2K J 1/16W/0603 TAPE
PCBEK/TASPA	011909R	ISCREW M2.9*6.5 YSBR-BK	R1041	173185R	RC-CHIP 18K F 1/16W /0603 TAPE
PLSAYAK-ALT	011322R	ISCREW EJOT 35X12 BLACK	R1042	173185R	RC-CHIP 18K F 1/16W /0603 TAPE
POWMOD-PAN	011982R	ISCREW M3*6 SZN PAN HEAD	R1043	172104R	RC-CHIP 1K J 1/16W /0603
POWPCB/TASR	011909R	ISCREW M2.9*6.5 YSBR-BK	R1044	172104R	RC-CHIP 1K J 1/16W /0603
Q100	401141R	TRN-CHIP BC848BLT1G SOT23	R1044	171107R	RC-CHIP 100R J 1/16W /0603
Q101	401141R	TRN-CHIP BC848BLT1G SOT23	R1045	172112R	RC-CHIP 1K 1% 1/10W /0603
Q102	401141R	TRN-CHIP BC848BLT1G SOT23	R1045	171107R	RC-CHIP 100R J 1/16W /0603
Q103	401141R	TRN-CHIP BC848BLT1G SOT23	R1046	171472R	RC-CHIP 470R J 1/16W /0603 TAPE
Q104	401141R	TRN-CHIP BC848BLT1G SOT23	R1046	171107R	RC-CHIP 100R J 1/16W /0603
Q300	401472R	TRN-CHIP 2N7002 N-CHANNEL SOT23	R1047	172513R	RC-CHIP 5.1K J 1/16W /0603
Q301	401472R	TRN-CHIP 2N7002 N-CHANNEL SOT23	R1048	171224R	RC-CHIP 220R J 1/16W/0603 TAPE
Q400	401141R	TRN-CHIP BC848BLT1G SOT23	R1049	102212R	CFR 1.2K J 1/4W 52MM
Q401	401141R	TRN-CHIP BC848BLT1G SOT23	R105	171107R	RC-CHIP 100R J 1/16W /0603
Q402	401141R	TRN-CHIP BC848BLT1G SOT23	R1050	115470R	RM 4.7M J 1/2W 52MM "SAFETY"
Q403	401141R	TRN-CHIP BC848BLT1G SOT23	R1051	109106R	CFR 1R J 1/4W /6 52MM
Q404	401141R	TRN-CHIP BC848BLT1G SOT23	R1052	172480R	RC-CHIP 4.7K J 1/16W/0603
Q405	401141R	TRN-CHIP BC848BLT1G SOT23	R1053	171107R	RC-CHIP 100R J 1/16W /0603
Q407	401141R	TRN-CHIP BC848BLT1G SOT23	R1054	179005R	RC-CHIP OR /0603 1.6*0.8 TAPE
Q408	401142R	TRN-CHIP BC858BLT1G SOT23	R1054	170512R	RC-CHIP 51R J 1/16W /0603 TAPE
Q501	401141R	TRN-CHIP BC848BLT1G SOT23	R1055	170512R	RC-CHIP 51R J 1/16W /0603 TAPE
Q502	401141R	TRN-CHIP BC848BLT1G SOT23	R1056	109106R	CFR 1R J 1/4W /6 52MM
Q503	401141R	TRN-CHIP BC848BLT1G SOT23	R1056	170512R	RC-CHIP 51R J 1/16W /0603 TAPE
Q504	401141R	TRN-CHIP BC848BLT1G SOT23	R1057	172480R	RC-CHIP 4.7K J 1/16W/0603
Q506	401141R	TRN-CHIP BC848BLT1G SOT23	R1057	170512R	RC-CHIP 51R J 1/16W /0603 TAPE
Q600	401472R	TRN-CHIP 2N7002 N-CHANNEL SOT23	R1058	179005R	RC-CHIP OR /0603 1.6*0.8 TAPE
Q601	401472R	TRN-CHIP 2N7002 N-CHANNEL SOT23	R1058	170512R	RC-CHIP 51R J 1/16W /0603 TAPE
Q602	401572R	TRN-CHIP FDV301N (FAIRCHILD)	R1059	103567R	CFR 56K J 1/4W /6 26MM
Q603	401572R	TRN-CHIP FDV301N (FAIRCHILD)	R1059	170512R	RC-CHIP 51R J 1/16W /0603 TAPE
Q700	401141R	TRN-CHIP BC848BLT1G SOT23	R106	171107R	RC-CHIP 100R J 1/16W /0603
Q750	401141R	TRN-CHIP BC848BLT1G SOT23	R1060	170126R	RC-CHIP 47R %1 1/16W /0603 T&R
Q801	401141R	TRN-CHIP BC848BLT1G SOT23	R1060	170512R	RC-CHIP 51R J 1/16W /0603 TAPE
Q802	401141R	TRN-CHIP BC848BLT1G SOT23	R1061	179005R	RC-CHIP OR /0603 1.6*0.8 TAPE
Q804	401141R	TRN-CHIP BC848BLT1G SOT23	R1061	171107R	RC-CHIP 100R J 1/16W /0603
R1	171560R	RC-CHIP 560R J 1/10W /0805	R1062	171107R	RC-CHIP 100R J 1/16W /0603
R100	172224R	RC-CHIP 2.2K J 1/16W/0603 TAPE	R1063	171107R	RC-CHIP 100R J 1/16W /0603
R1001	115110R	RM 1M J .5W 52MM SAFETY	R107	171107R	RC-CHIP 100R J 1/16W /0603
R1001	172479R	RC-CHIP 4.7K J 1/16W /0603 TAPE	R108	171107R	RC-CHIP 100R J 1/16W /0603
R1002	154242R	NTC SCK15105MSY 10R 5A D:13 R:7.5	R109	171107R	RC-CHIP 100R J 1/16W /0603
R1002	179005R	RC-CHIP OR /0603 1.6*0.8 TAPE	R110	171107R	RC-CHIP 100R J 1/16W /0603
R1003	104470R	CFR 470K J 1/4W /6 26MM	R111	171107R	RC-CHIP 100R J 1/16W /0603
R1003	114471R	RM 470K F 1/4W 52MM	R112	173229R	RC-CHIP 22K J 1/16W /0603
R1003	104470R	CFR 470K J 1/4W /6 26MM	R113	173229R	RC-CHIP 22K J 1/16W /0603
R1003	172479R	RC-CHIP 4.7K J 1/16W /0603 TAPE	R114	172104R	RC-CHIP 1K J 1/16W /0603
R1004	104470R	CFR 470K J 1/4W /6 26MM	R115	172104R	RC-CHIP 1K J 1/16W /0603
R1004	114471R	RM 470K F 1/4W 52MM	R116	172104R	RC-CHIP 1K J 1/16W /0603
R1004	104470R	CFR 470K J 1/4W /6 26MM	R117	172104R	RC-CHIP 1K J 1/16W /0603
R1004	172479R	RC-CHIP 4.7K J 1/16W /0603 TAPE	R118	172104R	RC-CHIP 1K J 1/16W /0603
R1005	102755R	CFR 7.5K J 1/4W	R119	170754R	RC-CHIP 75R J 1/16W /0603
R1005	172479R	RC-CHIP 4.7K J 1/16W /0603 TAPE	R120	170754R	RC-CHIP 75R J 1/16W /0603
R1006	173229R	RC-CHIP 22K J 1/16W /0603	R121	170754R	RC-CHIP 75R J 1/16W /0603
R1006	172479R	RC-CHIP 4.7K J 1/16W /0603 TAPE	R122	172479R	RC-CHIP 4.7K J 1/16W /0603 TAPE
R1007	111101R	RMO 1K J 1W	R123	172479R	RC-CHIP 4.7K J 1/16W /0603 TAPE
R1007	172479R	RC-CHIP 4.7K J 1/16W /0603 TAPE	R124	173229R	RC-CHIP 22K J 1/16W /0603
R1008	171107R	RC-CHIP 100R J 1/16W /0603	R125	173229R	RC-CHIP 22K J 1/16W /0603

Position	Part Code	Part Description	Position	Part Code	Part Description
R126	170474R	RC-CHIP 47R J 1/16W /0603 TAPE	R461	170474R	RC-CHIP 47R J 1/16W /0603 TAPE
R127	170474R	RC-CHIP 47R J 1/16W /0603 TAPE	R462	170474R	RC-CHIP 47R J 1/16W /0603 TAPE
R128	170474R	RC-CHIP 47R J 1/16W /0603 TAPE	R463	171683R	RC-CHIP 680R J 1/16W /0603
R129	173124R	RC-CHIP 12K J 1/16W /0603 TAPE	R464	171683R	RC-CHIP 680R J 1/16W /0603
R130	173124R	RC-CHIP 12K J 1/16W /0603 TAPE	R465	171683R	RC-CHIP 680R J 1/16W /0603
R131	173563R	RC-CHIP 56K J 1/16W /0603	R466	171683R	RC-CHIP 680R J 1/16W /0603
R132	173563R	RC-CHIP 56K J 1/16W /0603	R474	171683R	RC-CHIP 680R J 1/16W /0603
R133	170560R	RC-CHIP 56R J 1/16W /0603 TAPE	R475	171683R	RC-CHIP 680R J 1/16W /0603
R134	170560R	RC-CHIP 56R J 1/16W /0603 TAPE	R484	173100R	RC-CHIP 10K J 1/10W /0603
R135	173100R	RC-CHIP 10K J 1/10W /0603	R485	172104R	RC-CHIP 1K J 1/16W /0603
R136	173100R	RC-CHIP 10K J 1/10W /0603	R500	173100R	RC-CHIP 10K J 1/10W /0603
R137	171154R	RC-CHIP 150R J 1/16W /0603	R501	173100R	RC-CHIP 10K J 1/10W /0603
R138	171154R	RC-CHIP 150R J 1/16W /0603	R502	173100R	RC-CHIP 10K J 1/10W /0603
R139	172567R	RC-CHIP 5.6K J 1/16W /0603 TAPE	R503	173100R	RC-CHIP 10K J 1/10W /0603
R140	172567R	RC-CHIP 5.6K J 1/16W /0603 TAPE	R504	173100R	RC-CHIP 10K J 1/10W /0603
R141	172686R	RC-CHIP 6.8K J 1/16W /0603	R505	173100R	RC-CHIP 10K J 1/10W /0603
R142	172686R	RC-CHIP 6.8K J 1/16W /0603	R506	171107R	RC-CHIP 100R J 1/16W /0603
R143	173332R	RC-CHIP 33K J 1/16W /0603 TAPE	R507	171107R	RC-CHIP 100R J 1/16W /0603
R144	173332R	RC-CHIP 33K J 1/16W /0603 TAPE	R509	171107R	RC-CHIP 100R J 1/16W /0603
R145	174152R	RC-CHIP 150K J 1/16W /0603 TAPE	R510	171107R	RC-CHIP 100R J 1/16W /0603
R146	174152R	RC-CHIP 150K J 1/16W /0603 TAPE	R511	171107R	RC-CHIP 100R J 1/16W /0603
R1500	173100R	RC-CHIP 10K J 1/10W /0603	R512	171107R	RC-CHIP 100R J 1/16W /0603
R1501	173564R	RC-CHIP 56K %1 1/16W /0603	R513	171107R	RC-CHIP 100R J 1/16W /0603
R1502	173185R	RC-CHIP 18K F 1/16W /0603 TAPE	R514	171107R	RC-CHIP 100R J 1/16W /0603
R1506	173153R	RC-CHIP 15K J 1/16W /0603 TAPE	R515	171107R	RC-CHIP 100R J 1/16W /0603
R1508	179836R	RC-CHIP 66K %1 1/16W /0603	R516	171107R	RC-CHIP 100R J 1/16W /0603
R1509	173192R	RC-CHIP 10K F 1/16W /0603	R517	171107R	RC-CHIP 100R J 1/16W /0603
R1511	173563R	RC-CHIP 56K J 1/16W /0603	R518	172104R	RC-CHIP 1K J 1/16W /0603
R1512	173100R	RC-CHIP 10K J 1/10W /0603	R519	172104R	RC-CHIP 1K J 1/16W /0603
R1513	173153R	RC-CHIP 15K J 1/16W /0603 TAPE	R520	172104R	RC-CHIP 1K J 1/16W /0603
R1514	173564R	RC-CHIP 56K %1 1/16W /0603	R521	172104R	RC-CHIP 1K J 1/16W /0603
R1515	173185R	RC-CHIP 18K F 1/16W /0603 TAPE	R523	172104R	RC-CHIP 1K J 1/16W /0603
R1517	171107R	RC-CHIP 100R J 1/16W /0603	R530	170754R	RC-CHIP 75R J 1/16W /0603
R1528	171107R	RC-CHIP 100R J 1/16W /0603	R531	170754R	RC-CHIP 75R J 1/16W /0603
R2	171102R	RC-CHIP 100R J 1/10W /0805	R532	170754R	RC-CHIP 75R J 1/16W /0603
R200	170474R	RC-CHIP 47R J 1/16W /0603 TAPE	R533	170754R	RC-CHIP 75R J 1/16W /0603
R201	170474R	RC-CHIP 47R J 1/16W /0603 TAPE	R534	170754R	RC-CHIP 75R J 1/16W /0603
R202	170474R	RC-CHIP 47R J 1/16W /0603 TAPE	R538	170754R	RC-CHIP 75R J 1/16W /0603
R205	170754R	RC-CHIP 75R J 1/16W /0603	R539	170754R	RC-CHIP 75R J 1/16W /0603
R206	171107R	RC-CHIP 100R J 1/16W /0603	R540	170754R	RC-CHIP 75R J 1/16W /0603
R207	171107R	RC-CHIP 100R J 1/16W /0603	R543	170754R	RC-CHIP 75R J 1/16W /0603
R208	172479R	RC-CHIP 4.7K J 1/16W /0603 TAPE	R544	170754R	RC-CHIP 75R J 1/16W /0603
R3	170472R	RC-CHIP 47R J 1/10W /0805	R549	170754R	RC-CHIP 75R J 1/16W /0603
R300	172479R	RC-CHIP 4.7K J 1/16W /0603 TAPE	R551	170754R	RC-CHIP 75R J 1/16W /0603
R302	172479R	RC-CHIP 4.7K J 1/16W /0603 TAPE	R552	170754R	RC-CHIP 75R J 1/16W /0603
R304	172479R	RC-CHIP 4.7K J 1/16W /0603 TAPE	R553	170754R	RC-CHIP 75R J 1/16W /0603
R305	170333R	RC-CHIP 33R J 1/16W /0603 TAPE	R554	172479R	RC-CHIP 4.7K J 1/16W /0603 TAPE
R306	170333R	RC-CHIP 33R J 1/16W /0603 TAPE	R555	179475R	RC-CHIP 4.7K J 1/16W /0603
R307	170333R	RC-CHIP 33R J 1/16W /0603 TAPE	R556	172479R	RC-CHIP 4.7K J 1/16W /0603 TAPE
R308	170333R	RC-CHIP 33R J 1/16W /0603 TAPE	R557	171479R	RC-CHIP 470R %1 1/16W /0603 TAPE
R309	170333R	RC-CHIP 33R J 1/16W /0603 TAPE	R558	171336R	RC-CHIP 330R J 1/16W /0603 TAPE
R310	170333R	RC-CHIP 33R J 1/16W /0603 TAPE	R559	171336R	RC-CHIP 330R J 1/16W /0603 TAPE
R311	170333R	RC-CHIP 33R J 1/16W /0603 TAPE	R560	171336R	RC-CHIP 330R J 1/16W /0603 TAPE
R312	170333R	RC-CHIP 33R J 1/16W /0603 TAPE	R561	171336R	RC-CHIP 330R J 1/16W /0603 TAPE
R313	170333R	RC-CHIP 33R J 1/16W /0603 TAPE	R562	172224R	RC-CHIP 2.2K J 1/16W /0603 TAPE
R314	170333R	RC-CHIP 33R J 1/16W /0603 TAPE	R563	172686R	RC-CHIP 6.8K J 1/16W /0603
R315	173100R	RC-CHIP 10K J 1/10W /0603	R600	173100R	RC-CHIP 10K J 1/10W /0603
R316	173100R	RC-CHIP 10K J 1/10W /0603	R601	172104R	RC-CHIP 1K J 1/16W /0603
R317	171184R	RC-CHIP 180R J 1/16W /0603	R602	173100R	RC-CHIP 10K J 1/10W /0603
R318	175105R	RC-CHIP 1M J 1/16W /0603 T&R	R603	172336R	RC-CHIP 3.3K J 1/16W /0603
R319	171107R	RC-CHIP 100R J 1/16W /0603	R604	172336R	RC-CHIP 3.3K J 1/16W /0603
R320	171107R	RC-CHIP 100R J 1/16W /0603	R605	172336R	RC-CHIP 3.3K J 1/16W /0603
R321	173100R	RC-CHIP 10K J 1/10W /0603	R606	172336R	RC-CHIP 3.3K J 1/16W /0603
R322	173100R	RC-CHIP 10K J 1/10W /0603	R607	172336R	RC-CHIP 3.3K J 1/16W /0603
R400	172224R	RC-CHIP 2.2K J 1/16W /0603 TAPE	R608	172336R	RC-CHIP 3.3K J 1/16W /0603
R401	172224R	RC-CHIP 2.2K J 1/16W /0603 TAPE	R609	170754R	RC-CHIP 75R J 1/16W /0603
R402	173100R	RC-CHIP 10K J 1/10W /0603	R610	170754R	RC-CHIP 75R J 1/16W /0603
R403	173100R	RC-CHIP 10K J 1/10W /0603	R611	170754R	RC-CHIP 75R J 1/16W /0603
R409	172104R	RC-CHIP 1K J 1/16W /0603	R612	170112R	RC-CHIP 2K J 1/16W /0603 TAPE
R410	172104R	RC-CHIP 1K J 1/16W /0603	R613	172479R	RC-CHIP 4.7K J 1/16W /0603 TAPE
R419	171107R	RC-CHIP 100R J 1/16W /0603	R614	172479R	RC-CHIP 4.7K J 1/16W /0603 TAPE
R420	170225R	RC-CHIP 22R J 1/10W /0603	R615	172479R	RC-CHIP 4.7K J 1/16W /0603 TAPE
R421	170225R	RC-CHIP 22R J 1/10W /0603	R616	172479R	RC-CHIP 4.7K J 1/16W /0603 TAPE
R422	170225R	RC-CHIP 22R J 1/10W /0603	R617	172479R	RC-CHIP 4.7K J 1/16W /0603 TAPE
R423	172104R	RC-CHIP 1K J 1/16W /0603	R618	172479R	RC-CHIP 4.7K J 1/16W /0603 TAPE
R424	171107R	RC-CHIP 100R J 1/16W /0603	R619	170105R	RC-CHIP 10R J 1/16W /0603
R425	171107R	RC-CHIP 100R J 1/16W /0603	R620	170105R	RC-CHIP 10R J 1/16W /0603
R426	171107R	RC-CHIP 100R J 1/16W /0603	R621	170105R	RC-CHIP 10R J 1/16W /0603
R429	170225R	RC-CHIP 22R J 1/10W /0603	R622	170105R	RC-CHIP 10R J 1/16W /0603
R430	172479R	RC-CHIP 4.7K J 1/16W /0603 TAPE	R623	170105R	RC-CHIP 10R J 1/16W /0603
R432	171107R	RC-CHIP 100R J 1/16W /0603	R624	170105R	RC-CHIP 10R J 1/16W /0603
R433	171107R	RC-CHIP 100R J 1/16W /0603	R625	170105R	RC-CHIP 10R J 1/16W /0603
R436	171107R	RC-CHIP 100R J 1/16W /0603	R626	170105R	RC-CHIP 10R J 1/16W /0603
R437	173226R	RC-CHIP 22K J 1/16W /0603	R700	172479R	RC-CHIP 4.7K J 1/16W /0603 TAPE
R439	173183R	RC-CHIP 18K J 1/16W /0603 TAPE	R701	172479R	RC-CHIP 4.7K J 1/16W /0603 TAPE
R440	171107R	RC-CHIP 100R J 1/16W /0603	R704	173563R	RC-CHIP 56K J 1/16W /0603
R441	172104R	RC-CHIP 1K J 1/16W /0603	R705	172224R	RC-CHIP 2.2K J 1/16W /0603 TAPE
R442	172104R	RC-CHIP 1K J 1/16W /0603	R706	171184R	RC-CHIP 180R J 1/16W /0603
R443	172104R	RC-CHIP 1K J 1/16W /0603	R750	179839R	RC-CHIP 113K %1 1/16W /0603
R444	172104R	RC-CHIP 1K J 1/16W /0603	R751	173114R	RC-CHIP 100K J 1/16W /0603
R445	172104R	RC-CHIP 1K J 1/16W /0603	R752	173114R	RC-CHIP 100K J 1/16W /0603
R446	172104R	RC-CHIP 1K J 1/16W /0603	R753	173100R	RC-CHIP 10K J 1/10W /0603
R447	172104R	RC-CHIP 1K J 1/16W /0603	R754	173100R	RC-CHIP 10K J 1/10W /0603
R448	172104R	RC-CHIP 1K J 1/16W /0603	R755	173100R	RC-CHIP 10K J 1/10W /0603
R449	172104R	RC-CHIP 1K J 1/16W /0603	R756	173100R	RC-CHIP 10K J 1/10W /0603
R450	172104R	RC-CHIP 1K J 1/16W /0603	R757	170102R	RC-CHIP 10R J 1/16W /1206
R451	172104R	RC-CHIP 1K J 1/16W /0603	R758	170105R	RC-CHIP 10R J 1/16W /0603
R452	172104R	RC-CHIP 1K J 1/16W /0603	R759	172479R	RC-CHIP 4.7K J 1/16W /0603 TAPE
R453	172104R	RC-CHIP 1K J 1/16W /0603	R760	172479R	RC-CHIP 4.7K J 1/16W /0603 TAPE
R454	172104R	RC-CHIP 1K J 1/16W /0603	R761	179839R	RC-CHIP 113K %1 1/16W /0603
R455	172479R	RC-CHIP 4.7K J 1/16W /0603 TAPE	R762	173114R	RC-CHIP 100K J 1/16W /0603
R456	172479R	RC-CHIP 4.7K J 1/16W /0603 TAPE	R763	173114R	RC-CHIP 100K J 1/16W /0603
R459	173100R	RC-CHIP 10K J 1/10W /0603	R764	173100R	RC-CHIP 10K J 1/10W /0603
R460	173100R	RC-CHIP 10K J 1/10W /0603	R765	173100R	RC-CHIP 10K J 1/10W /0603

Position	Part Code	Part Description	Position	Part Code	Part Description
R766	173100R	IRC-CHIP 10K J 1/10W /0603	R992	172479R	RC-CHIP 4.7K J 1/16W /0603 TAPE
R767	173100R	IRC-CHIP 10K J 1/10W /0603	R993	172479R	RC-CHIP 4.7K J 1/16W /0603 TAPE
R768	170102R	IRC-CHIP 10R J 1/8W /1206	R994	172479R	RC-CHIP 4.7K J 1/16W /0603 TAPE
R769	170105R	IRC-CHIP 10R J 1/16W /0603	R995	172479R	RC-CHIP 4.7K J 1/16W /0603 TAPE
R781	173207R	IRC-CHIP 20K J 1/16W /0603 TAPE	R996	172479R	RC-CHIP 4.7K J 1/16W /0603 TAPE
R782	173207R	IRC-CHIP 20K J 1/16W /0603 TAPE	RG200	190471R	IR-ARRAY-CHIP 47R*4YC16
R800	173100R	IRC-CHIP 10K J 1/10W /0603	RG201	190471R	IR-ARRAY-CHIP 47R*4YC16
R802	173100R	IRC-CHIP 10K J 1/10W /0603	RG300	170339R	RC-CHIP-ARRAY 4*33R /YC16
R803	173100R	IRC-CHIP 10K J 1/10W /0603	RG301	170339R	RC-CHIP-ARRAY 4*33R /YC16
R804	173100R	IRC-CHIP 10K J 1/10W /0603	RG302	170339R	RC-CHIP-ARRAY 4*33R /YC16
R806	173100R	IRC-CHIP 10K J 1/10W /0603	RG303	170339R	RC-CHIP-ARRAY 4*33R /YC16
R807	173100R	IRC-CHIP 10K J 1/10W /0603	RG304	170339R	RC-CHIP-ARRAY 4*33R /YC16
R808	173100R	IRC-CHIP 10K J 1/10W /0603	RG305	170339R	RC-CHIP-ARRAY 4*33R /YC16
R809	173100R	IRC-CHIP 10K J 1/10W /0603	RG900	170510R	RC-CHIP-ARRAY 4*51R /YC16
R810	173100R	IRC-CHIP 10K J 1/10W /0603	RG901	170510R	RC-CHIP-ARRAY 4*51R /YC16
R811	173100R	IRC-CHIP 10K J 1/10W /0603	RG902	170510R	RC-CHIP-ARRAY 4*51R /YC16
R818	173100R	IRC-CHIP 10K J 1/10W /0603	RG903	170510R	RC-CHIP-ARRAY 4*51R /YC16
R819	173100R	IRC-CHIP 10K J 1/10W /0603	RG904	170510R	RC-CHIP-ARRAY 4*51R /YC16
R822	173100R	IRC-CHIP 10K J 1/10W /0603	RG905	170510R	RC-CHIP-ARRAY 4*51R /YC16
R824	173100R	IRC-CHIP 10K J 1/10W /0603	RG906	170510R	RC-CHIP-ARRAY 4*51R /YC16
R828	173100R	IRC-CHIP 10K J 1/10W /0603	RG907	170510R	RC-CHIP-ARRAY 4*51R /YC16
R835	173100R	IRC-CHIP 10K J 1/10W /0603	RG908	170510R	RC-CHIP-ARRAY 4*51R /YC16
R836	173100R	IRC-CHIP 10K J 1/10W /0603	RG909	170510R	RC-CHIP-ARRAY 4*51R /YC16
R837	173100R	IRC-CHIP 10K J 1/10W /0603	RG910	170510R	RC-CHIP-ARRAY 4*51R /YC16
R838	173100R	IRC-CHIP 10K J 1/10W /0603	RG911	170510R	RC-CHIP-ARRAY 4*51R /YC16
R839	173100R	IRC-CHIP 10K J 1/10W /0603	RG914	170510R	RC-CHIP-ARRAY 4*51R /YC16
R840	173100R	IRC-CHIP 10K J 1/10W /0603	S1500	031487R	CONN.HOUSING.4P 2MM 89400-0410 MOLEX
R843	173100R	IRC-CHIP 10K J 1/10W /0603	S1501	031658R	CONN.HOUSING.10P 2MM 89400-1210 MOLEX
R844	173100R	IRC-CHIP 10K J 1/10W /0603	S1502	031650R	CONN.HOUSING.8P 2MM 89400-0810 MOLEX
R846	173100R	IRC-CHIP 10K J 1/10W /0603	S1503	032951R	CONN.HOUSING.7LI MOLEX 89400-0710
R848	170754R	IRC-CHIP 75R J 1/16W /0603	S1504	031476R	CONN.HOUSING.12P 2MM 89400-1210 MOLEX
R850	173100R	IRC-CHIP 10K J 1/10W /0603	S1505	032949R	CONN.HOUSING.5P MOLEX 89400-0510
R851	173100R	IRC-CHIP 10K J 1/10W /0603	S1506	032949R	CONN.HOUSING.5P MOLEX 89400-0510
R900	170201R	IRC-CHIP 20R 1% 1/16W /0603	S1507	031476R	CONN.HOUSING.12P 2MM 89400-1210 MOLEX
R901	170201R	IRC-CHIP 20R 1% 1/16W /0603	S1508	031658R	CONN.HOUSING.10P 2MM 89400-1010 MOLEX
R902	170201R	IRC-CHIP 20R 1% 1/16W /0603	S400	031224R	CONN.HOUS.3P 2317-3S .JST B 3B-XH-A WHITE
R903	170201R	IRC-CHIP 20R 1% 1/16W /0603	S501	031251R	SCART SOCKET 14.1
R904	170201R	IRC-CHIP 20R 1% 1/16W /0603	S502	031251R	SCART SOCKET 14.1
R905	170201R	IRC-CHIP 20R 1% 1/16W /0603	S503	032979R	CONN.CINCH FRONT GREEN
R906	170201R	IRC-CHIP 20R 1% 1/16W /0603	S504	032978R	CONN.CINCH FRONT BLUE
R907	170201R	IRC-CHIP 20R 1% 1/16W /0603	S505	031795R	CONN.S-VHS
R908	170201R	IRC-CHIP 20R 1% 1/16W /0603	S506	031164R	KONN. CINCH RED HOR 14.1
R909	170201R	IRC-CHIP 20R 1% 1/16W /0603	S507	031165R	KONN. CINCH YELLOW HOR 14.1
R910	170201R	IRC-CHIP 20R 1% 1/16W /0603	S508	031163R	KONN. CINCH WHITE HOR 14.1
R911	170201R	IRC-CHIP 20R 1% 1/16W /0603	S509	031163R	KONN. CINCH WHITE HOR 14.1
R912	170201R	IRC-CHIP 20R 1% 1/16W /0603	S510	031164R	KONN. CINCH RED HOR 14.1
R913	170201R	IRC-CHIP 20R 1% 1/16W /0603	S511	031164R	KONN. CINCH RED HOR 14.1
R914	170201R	IRC-CHIP 20R 1% 1/16W /0603	S512	031165R	KONN. CINCH YELLOW HOR 14.1
R915	170201R	IRC-CHIP 20R 1% 1/16W /0603	S513	031163R	KONN. CINCH WHITE HOR 14.1
R916	170576R	IRC-CHIP 57.6R %1 1/16W /0603 T&R	S514	031164R	KONN. CINCH RED HOR 14.1
R917	170576R	IRC-CHIP 57.6R %1 1/16W /0603 T&R	S601	032988R	CON 500254-1927 MOLEX HDMI
R918	170576R	IRC-CHIP 57.6R %1 1/16W /0603 T&R	S602	032980R	CON DVI 24-5*P/OL JRX1-DV124+5(011255x2)
R919	170576R	IRC-CHIP 57.6R %1 1/16W /0603 T&R	S603	031358R	CONN. VGA B10B
R920	172336R	IRC-CHIP 3.3K J 1/16W /0603	S604	031423R	HEADPHONE JACK YKB21-5103
R921	172104R	IRC-CHIP 1K J 1/16W /0603	S700	031658R	CONN.HOUSING.10P 2MM 89400-1010 MOLEX
R922	170758R	IRC-CHIP 75R %1 1/16W /0603 TAPE	S701	031476R	CONN.HOUSING.12P 2MM 89400-1210 MOLEX
R926	170758R	IRC-CHIP 75R %1 1/16W /0603 TAPE	S702	032951R	CONN.HOUSING.7LI MOLEX 89400-0710
R927	170758R	IRC-CHIP 75R %1 1/16W /0603 TAPE	S750	031194R	CONN.HOUS.4P 2317-4S .JST B 4B-XH-A WHITE
R928	170758R	IRC-CHIP 75R %1 1/16W /0603 TAPE	S900	031299R	CONN.HOUS.10P 2317-10S .JST14B-XH-A BEYAZ
R929	170758R	IRC-CHIP 75R %1 1/16W /0603 TAPE	S902	032449R	KONN MALE 2-15 30 LU SST
R930	170758R	IRC-CHIP 75R %1 1/16W /0603 TAPE	S903	031194R	CONN.HOUS.4P 2317-4S .JST B 4B-XH-A WHITE
R931	170758R	IRC-CHIP 75R %1 1/16W /0603 TAPE	S904	031769R	CONN.HOUS.4P 2317-4S .JST B 4B-XH-A RED
R935	170758R	IRC-CHIP 75R %1 1/16W /0603 TAPE	S907	032450R	TERMINAL ERKEK 6 3MM FIXED
R936	170758R	IRC-CHIP 75R %1 1/16W /0603 TAPE	SAS1TASPAN	011982R	SCREW M3*6 SZN PAN HEAD
R937	170758R	IRC-CHIP 75R %1 1/16W /0603 TAPE	SAW100	056708R	SAW FILTER OFW K3955M
R938	171107R	IRC-CHIP 100R J 1/16W /0603	SAW101	056708R	SAW FILTER OFW K3955M
R939	171107R	IRC-CHIP 100R J 1/16W /0603	SAW102	056010R	SAW FILTER OFW K9655M
R940	500700-KD	JUMPER WIRE D= 6	SAW103	056010R	SAW FILTER OFW K9655M
R940	171107R	IRC-CHIP 100R J 1/16W /0603	SES ON-SES A	011965R	SCREW EJOT 35X12
R941	500700-KD	JUMPER WIRE D= 6	SOURCE	010844R	TACT SWITCH 2 LEG (MTSB)
R941	171107R	IRC-CHIP 100R J 1/16W /0603	SW1	010716R	POWER SWITCH SDKL1A10200
R942	171107R	IRC-CHIP 100R J 1/16W /0603	T1	400240R	TRN BC639
R943	171107R	IRC-CHIP 100R J 1/16W /0603	T1001	227311	INSULATOR SILICON 24*19
R944	171107R	IRC-CHIP 100R J 1/16W /0603	T1001	401533R	TRN STW20NK50Z 500V 0.23R 17A TO-247
R945	171107R	IRC-CHIP 100R J 1/16W /0603	T1001	228311	INSULATOR SILICON 21*16
R946	170512R	IRC-CHIP 51R J 1/16W /0603 TAPE	T1002	401536R	TRN BD135 45V 1.5A TO-126
R947	171107R	IRC-CHIP 100R J 1/16W /0603	T1003	401285R	TRN BD136
R948	171107R	IRC-CHIP 100R J 1/16W /0603	T1004	401569R	TRN 2SK3934 500V 0.23R 15A TO-220 SIS
R949	171107R	IRC-CHIP 100R J 1/16W /0603	T1005	401569R	TRN 2SK3934 500V 0.23R 15A TO-220 SIS
R950	171107R	IRC-CHIP 100R J 1/16W /0603	T1006	401141R	TRN-CHIP BC848BLT1G SOT23
R951	055601R	FERRIT-CHIP BEAD BK1608HM601 /0603 T&R	T1007	401141R	TRN-CHIP BC848BLT1G SOT23
R952	055601R	FERRIT-CHIP BEAD BK1608HM601 /0603 T&R	T1009	401141R	TRN-CHIP BC848BLT1G SOT23
R953	171107R	IRC-CHIP 100R J 1/16W /0603	TR1001	053918R	COIL L6 ACTIVE PFC 200W 2702.0006A
R954	171107R	IRC-CHIP 100R J 1/16W /0603	TR1002	051877R	SMPS L6D-L6E STAND-BY 16W 2362.0028B
R955	171107R	IRC-CHIP 100R J 1/16W /0603	TR1003	051845R	TRANSFORMER L6 FOR 2 SWITCH 2907.0001A
R956	171107R	IRC-CHIP 100R J 1/16W /0603	TR1004	051888R	SMPS LE MAIN 250W 2712.0009A
R957	171107R	IRC-CHIP 100R J 1/16W /0603	TU100	GW1136RPH1	TUN. PH UV13167/SDGH-3 SPL ASI Y LN25MM
R958	171107R	IRC-CHIP 100R J 1/16W /0603	TU101	Y11136R	TUNER HOR-PHILLIPS UV1316A/1H-4
R963	171224R	IRC-CHIP 220R J 1/16W /0603 TAPE	TWEETER	011814R	SCREW SELF TAPPING 2.9*9.5
R967	171224R	IRC-CHIP 220R J 1/16W /0603 TAPE	U100	451569R-1	IC-CHIP TDA9886TV4 118/5024 T&R
R969	173100R	IRC-CHIP 10K J 1/10W /0603	U101	451569R-1	IC-CHIP TDA9886TV4 118/5024 T&R
R970	173100R	IRC-CHIP 10K J 1/10W /0603	U1500	453553R	IC-CHIP MP1593DN-LF-Z DC-DC CONV SOIC8N
R971	173100R	IRC-CHIP 10K J 1/10W /0603	U1501	453553R	IC-CHIP MP1593DN-LF-Z DC-DC CONV SOIC8N
R972	173100R	IRC-CHIP 10K J 1/10W /0603	U1502	453553R	IC-CHIP MP1593DN-LF-Z DC-DC CONV SOIC8N
R975	179005R	IRC-CHIP 0R /0603 1*6*8 TAPE	U200	450533R	IC-CHIP VPX3226F PMQFP10X10-44 T&R
R976	173100R	IRC-CHIP 10K J 1/10W /0603	U300	450532R	IC-CHIP SIL9021CTU TQFP144
R977	173100R	IRC-CHIP 10K J 1/10W /0603	U400	452706R-1	IC TDA1308T1N2 SO-G8 (T&R)
R981	173300R	IRC-CHIP 30K J 1/16W /0603	U401	453867R	IC-CHIP MSP4410K-VK-D6 PMQFP80-1
R982	173300R	IRC-CHIP 30K J 1/16W /0603	U500	453271R	IC-CHIP TEA6415CDT-VIDEO-MAT-SW-T&R
R983	173100R	IRC-CHIP 10K J 1/10W /0603	U501	453195R	IC PI5V330WEXX SOIC(W)
R984	173100R	IRC-CHIP 10K J 1/10W /0603	U502	452672R	IC-CHIP LMV7239-M5X SOT23-5 T&R
R986	173100R	IRC-CHIP 10K J 1/10W /0603	U601	453261R	IC-CHIP 24LC21A-IT5NG-CMOS18K2.5V5E T&R
R989	172479R	IRC-CHIP 4.7K J 1/16W /0603 TAPE	U602	453031R-2	IC-CHIP AT24C08AN-10SU-2.7 (ATMEL) TAPE&
R991	172479R	IRC-CHIP 4.7K J 1/16W /0603 TAPE	U603	453261R	IC-CHIP 24LC21A-IT5NG-CMOS18K2.5V5E T&R

Position	Part Code	Part Description	Position	Part Code	Part Description
U604	450535R	IC-CHIP SN74LVC1G08DBVT SOT23-5			
U605	450535R	IC-CHIP SN74LVC1G08DBVT SOT23-5			
U700	450528R	IC-CHIP FAN1587AMX TO263 (FAIRCHILD)			
U701	450527R	IC-CHIP FAN1086M33X TO263(FAIRCHILD)			
U702	453295R	IC-CHIP NCP1117D118RK G TO252 (T&R)			
U703	453095R	IC-CHIP NCP1117D118RK G (DPAK) T&R TO252			
U704	450528R	IC-CHIP FAN1587AMX TO263 (FAIRCHILD)			
U705	452867R	IC-CHIP MC34063ADR2G SO8 T&R			
U750	450530R	IC-CHIP MPS7720 SOIC8			
U751	450530R	IC-CHIP MPS7720 SOIC8			
U800	453230R	IC-CHIP AT498V 162AT 70TU T&R			
U801	450537R	IC HY5DU281622ETP-J 128 MEGA BIT DDR SDR			
U802	450537R	IC HY5DU281622ETP-J 128 MEGA BIT DDR SDR			
U900	450538R	IC-CHIP FL18532-LF PBGA 416			
U901	453263R	IC-CHIP AT24C64AN-10SU-2.7 SO8 T&R			
U902	452997R	IC-CHIP LM358DR2G / SO8			
V(-)	010844R	TACT SWITCH 2 LEG (MTSB)			
V(+)	010844R	TACT SWITCH 2 LEG (MTSB)			
VR1001	160115R	VARISTOR WAL SIN SR471K10DS			
VR1002	160115R	VARISTOR WAL SIN SR471K10DS			
X1001	032973R	CONNECTOR MALE 2 PIN 200G1-5S(5-3)			
X1002	031196R	CONN.HOUS.5P 2317-5S JST B 5B-XH-A RED			
X1003	038811R	CONN.HOUS.10.P 22-27-2101 MOLEX			
X1004	038810R	CONN.HOUS.7.P 22-27-2071 MOLEX			
X940	031224R	CONN.HOUS.3P 2317-3S JST B 3B-XH-A WHITE			
X941	032150R	IHP JACK 17 LCD TV (OLD-8R9185)			
X941	011424R	LOAF HEAD JACK			
Y100	056013R	CRYSTAL 4 MHZ HC49-U			
Y101	056013R	CRYSTAL 4 MHZ HC49-U			
Y200	056038R	CRYSTAL 20.25MHZ 20PPM (106478)			
Y300	056795R	CRYSTALL 28.322 MHZ HC49-U			
Y400	056852R	CRYSTAL 18.432MHZ + 30PPM			
Y900	056797R	CRYSTALL 18.6608MHZ 18PF 30/30PPM HC49U			
ZD1001	303494R	Z DIODE 1N4746 18V			
ZD1002	303494R	Z DIODE 1N4746 18V			
ZD1003	303494R	Z DIODE 1N4746 18V			
ZD1004	303494R	Z DIODE 1N4746 18V			
ZD1005	300193R	DIODE Z BZX55C9V1-GPS(VISHAY)			
	038936R	LCD TV VGA CABLE			
	038921R	MAIN CABLE PC/MONITOR 2MT EURO			

FREQUENCY TABLE (MHz)

Channel	Number	BG	I	DK	L/L'
CH	1		49.75	49.75	47.75
CH	2	48.25	59.25	59.25	55.75
CH	3	55.25	77.25	77.25	60.50
CH	4	62.25	85.25	85.25	63.75
CH	5	175.25	93.25	93.25	176.00
CH	6	182.25	175.25	175.25	184.00
CH	7	189.25	183.25	183.25	192.00
CH	8	196.25	191.25	191.25	200.00
CH	9	203.25	199.25	199.25	208.00
CH	10	210.25	207.25	207.25	216.00
CH	11	217.25	215.25	215.25	189.25
CH	12	224.25	223.25	223.25	182.25
CH	13	53.75	45.75		196.25
CH	14	62.25	53.75		210.25
CH	15	82.25	61.75		
CH	16	175.25	69.75		
CH	17	183.25	95.25		
CH	18	192.25			
CH	19	201.25			
CH	20	210.25			
CH	21	471.25	471.25	471.25	471.25
CH	22	479.25	479.25	479.25	479.25
CH	23	487.25	487.25	487.25	487.25
CH	24	495.25	495.25	495.25	495.25
CH	25	503.25	503.25	503.25	503.25
CH	26	511.25	511.25	511.25	511.25
CH	27	519.25	519.25	519.25	519.25
CH	28	527.25	527.25	527.25	527.25
CH	29	535.25	535.25	535.25	535.25
CH	30	543.25	543.25	543.25	543.25
CH	31	551.25	551.25	551.25	551.25
CH	32	559.25	559.25	559.25	559.25
CH	33	567.25	567.25	567.25	567.25
CH	34	575.25	575.25	575.25	575.25
CH	35	583.25	583.25	583.25	583.25
CH	36	591.25	591.25	591.25	591.25
CH	37	599.25	599.25	599.25	599.25
CH	38	607.25	607.25	607.25	607.25
CH	39	615.25	615.25	615.25	615.25
CH	40	623.25	623.25	623.25	623.25
CH	41	631.25	631.25	631.25	631.25
CH	42	639.25	639.25	639.25	639.25
CH	43	647.25	647.25	647.25	647.25
CH	44	655.25	655.25	655.25	655.25

Channel	Number	BG	I	DK	L/L'
CH	45	663.25	663.25	663.25	663.25
CH	46	671.25	671.25	671.25	671.25
CH	47	679.25	679.25	679.25	679.25
CH	48	687.25	687.25	687.25	687.25
CH	49	695.25	695.25	695.25	695.25
CH	50	703.25	703.25	703.25	703.25
CH	51	711.25	711.25	711.25	711.25
CH	52	719.25	719.25	719.25	719.25
CH	53	727.25	727.25	727.25	727.25
CH	54	735.25	735.25	735.25	735.25
CH	55	743.25	743.25	743.25	743.25
CH	56	751.25	751.25	751.25	751.25
CH	57	759.25	759.25	759.25	759.25
CH	58	767.25	767.25	767.25	767.25
CH	59	775.25	775.25	775.25	775.25
CH	60	783.25	783.25	783.25	783.25
CH	61	791.25	791.25	791.25	791.25
CH	62	799.25	799.25	799.25	799.25
CH	63	807.25	807.25	807.25	807.25
CH	64	815.25	815.25	815.25	815.25
CH	65	823.25	823.25	823.25	823.25
CH	66	831.25	831.25	831.25	831.25
CH	67	839.25	839.25	839.25	839.25
CH	68	847.25	847.25	847.25	847.25
CH	69	855.25	855.25	855.25	855.25
CH	70		863.25		863.25
CH	71		871.25		
CH	72		879.25		
CH	73		887.25		160.00
CH	74	69.25			172.00
CH	75	76.25			220.00
CH	76	83.25			232.00
CH	77	90.25			244.00
CH	78	97.25			256.00
CH	79	59.25			268.00
CH	80	93.25			280.00
S	1	105.25	103.25	103.25	116.75
S	2	112.25	111.25	111.25	128.75
S	3	119.25	119.25	119.25	140.75
S	4	126.25	127.25	127.25	152.75
S	5	133.25	135.25	135.25	164.75
S	6	140.25	143.25	143.25	176.75
S	7	147.25	151.25	151.25	188.75
S	8	154.25	159.25	159.25	200.75
S	9	161.25	167.25	167.25	212.75
S	10	168.25	231.25	231.25	224.75
S	11	231.25	239.25	239.25	236.75
S	12	238.25	247.25	247.25	248.75
S	13	245.25	255.25	255.25	260.75
S	14	252.25	263.25	263.25	272.75

Channel	Number	BG	I	DK	L/L'
S	15	259.25	271.25	271.25	284.75
S	16	266.25	279.25	279.25	296.75
S	17	273.25	287.25	287.25	55.75
S	18	280.25	295.25	295.25	60.50
S	19	287.25	303.25	303.25	63.75
S	20	294.25			
S	21	303.25			303.25
S	22	311.25	311.25	311.25	311.25
S	23	319.25	319.25	319.25	319.25
S	24	327.25	327.25	327.25	327.25
S	25	335.25	335.25	335.25	335.25
S	26	343.25	343.25	343.25	343.25
S	27	351.25	351.25	351.25	351.25
S	28	359.25	359.25	359.25	359.25
S	29	367.25	367.25	367.25	367.25
S	30	375.25	375.25	375.25	375.25
S	31	383.25	383.25	383.25	383.25
S	32	391.25	391.25	391.25	391.25
S	33	399.25	399.25	399.25	399.25
S	34	407.25	407.25	407.25	407.25
S	35	415.25	415.25	415.25	415.25
S	36	423.25	423.25	423.25	423.25
S	37	431.25	431.25	431.25	431.25
S	38	439.25	439.25	439.25	439.25
S	39	447.25	447.25	447.25	447.25
S	40	455.25	455.25	455.25	455.25
S	41	463.25	463.25	463.25	463.25